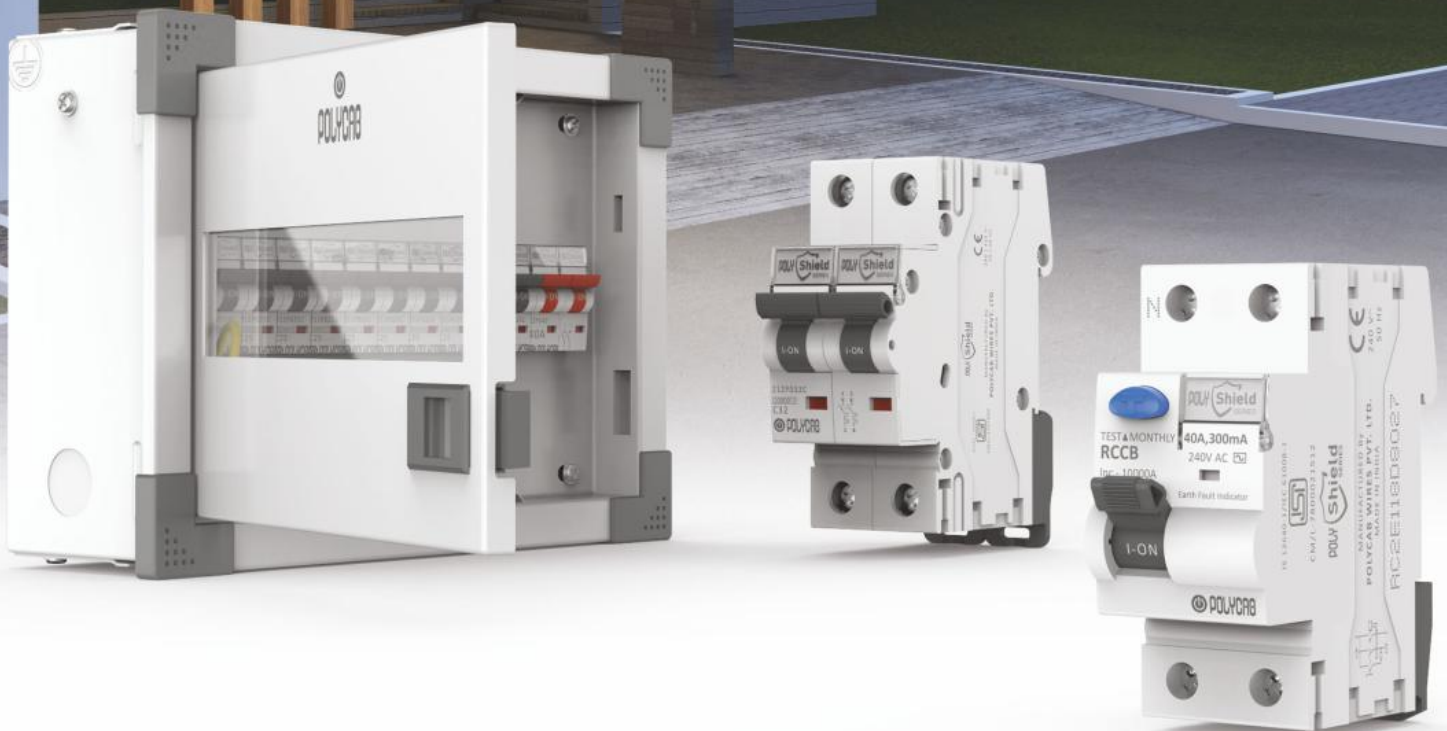




**POLYCARB**

*Connection Zindagi Ka*

SWITCHGEAR



CIRCUIT PROTECTION  
DEVICES & SMART ENERGY  
DISTRIBUTION SYSTEMS



# PROTECT YOUR FAMILY FROM ELECTRICAL SHOCKS



## CONTENTS

<b>MCB (Miniature Circuit Breaker)</b>	<b>1-10</b>
<b>DC MCB (Direct Current Miniature Circuit Breaker)</b>	<b>11-12</b>
<b>Isolators</b>	<b>13-14</b>
<b>RCCB (Residual Current Circuit Breaker)</b>	<b>15-18</b>
<b>RCBO (Residual Current Circuit Breaker with Over Current Protection)</b>	<b>19-22</b>
<b>DB 's (Distribution Boards)</b>	<b>23-52</b>
<b>MCB Enclosure</b>	<b>53-53</b>
<b>Metal Plug &amp; Socket DB's</b>	<b>54-54</b>

## POLY SHIELD Miniature Circuit Breaker

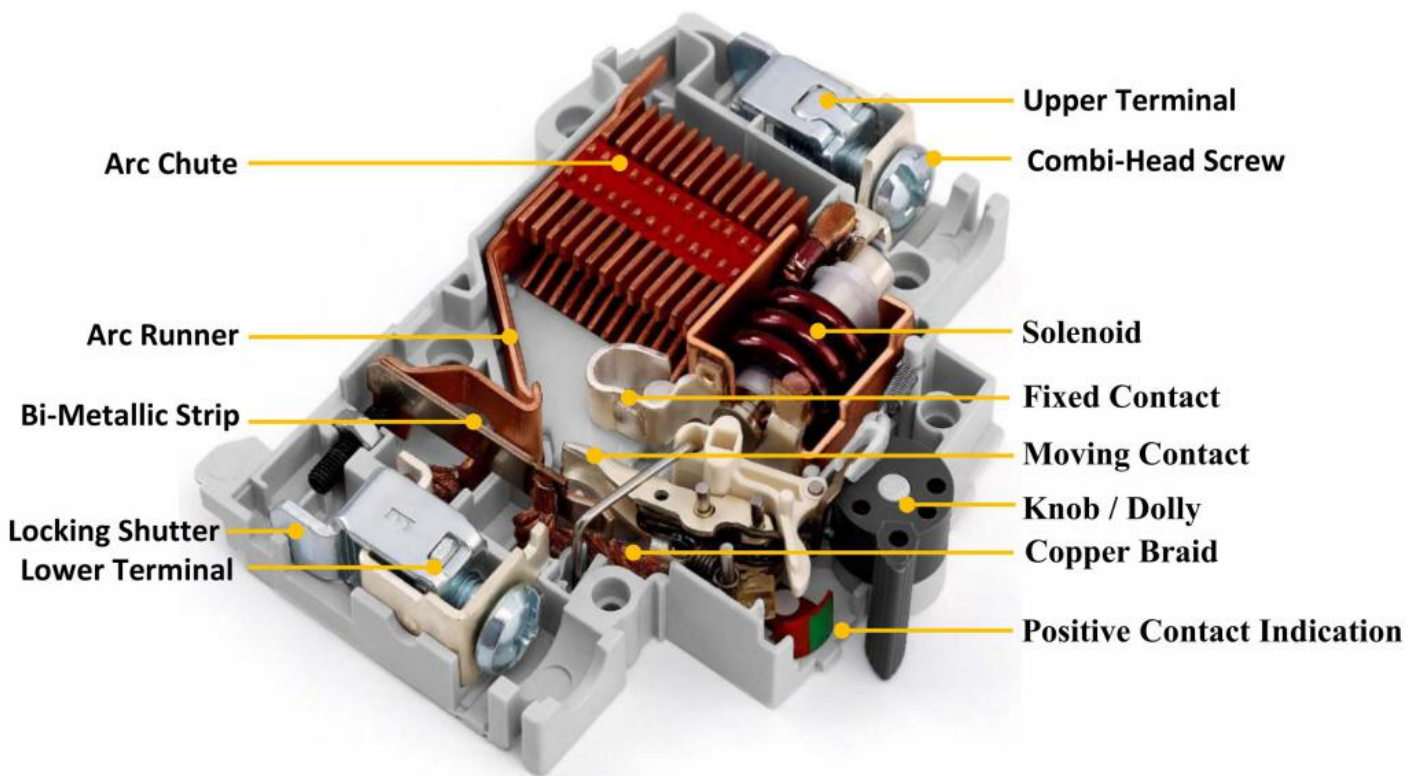
Miniature Circuit Breakers are electromechanical devices which protect an electrical circuit from an overcurrent. The overcurrent, in an electrical circuit, may result from short circuit, overload or faulty design. A MCB is a better alternative to a fuse since it does not require replacement, once an overload is detected. Unlike fuse, a MCB can be easily reset and thus offers improved operational safety and greater convenience without incurring large operating cost.

### Construction

A MCB embodies complete enclosure in a moulded insulating material. This provides mechanically strong and insulated housing. The switching system consists of a fixed and a moving contact to which incoming and outgoing wires are connected. The metal or current carrying parts are made up of electrolytic copper or silver alloy depending on the rating of the circuit breaker.

As the contacts are separated in the event of an overload or short circuit situation, an electric arc is formed. MCBs are designed to handle arc interruption process where arc energy extraction and its cooling are provided by metallic arc splitter plates. These plates are held in a proper position by an insulating material. Also, arc runner is provided to force the arc towards the arc chute that is produced between the main contacts.

### Components of MCB



Technology continues to evolve in the field of LV power distribution and protection. 30 years ago the specifier/installer was typically faced with the decision on what size fuse wire to use. Now they must consider which MCB, RCCB or RCBO to install, with even more choice than ever on what levels of protection against the effects of electrical fault to afford.

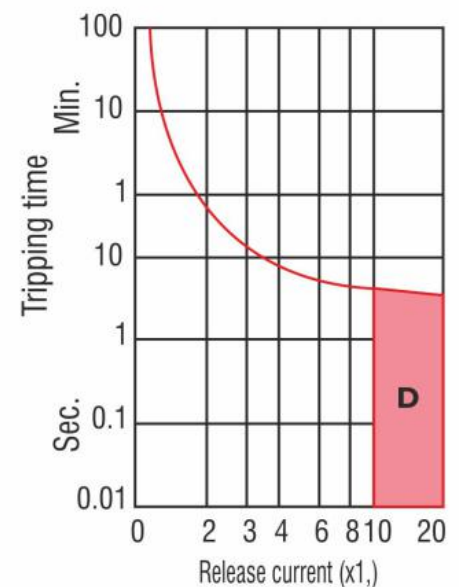
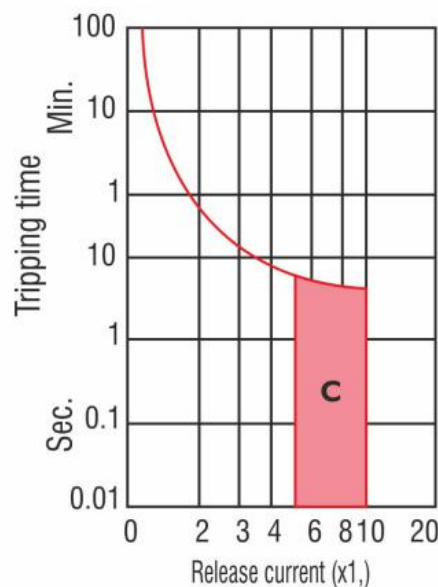
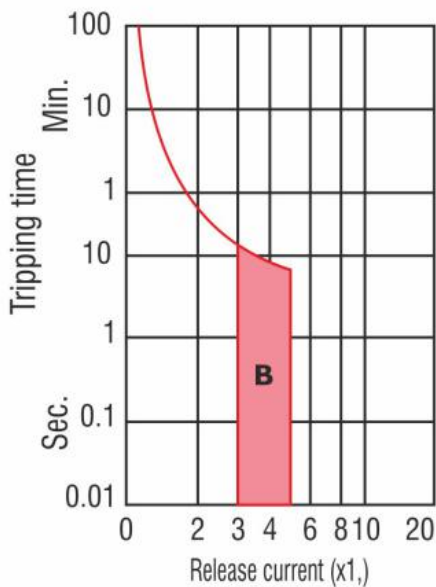
### MCB Characteristics Curve

Characteristic curve is the curve between release current and tripping time. MCB have

Type B characteristic curves

Type C characteristic curves

Type D characteristic curves



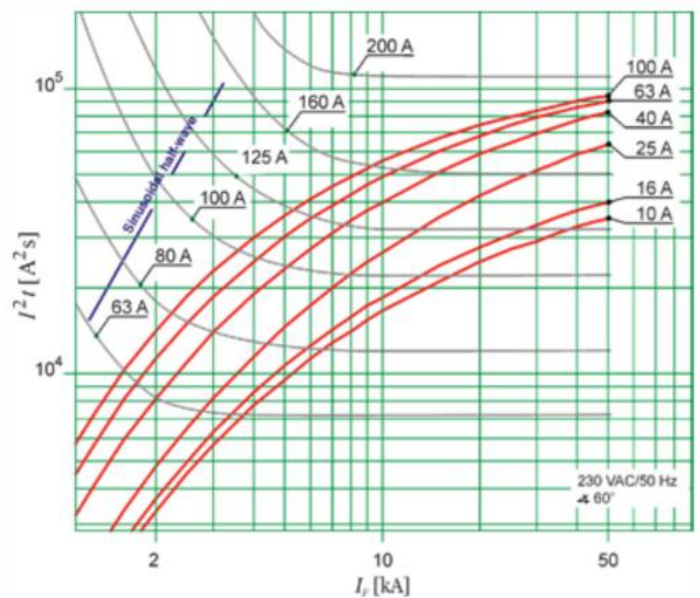
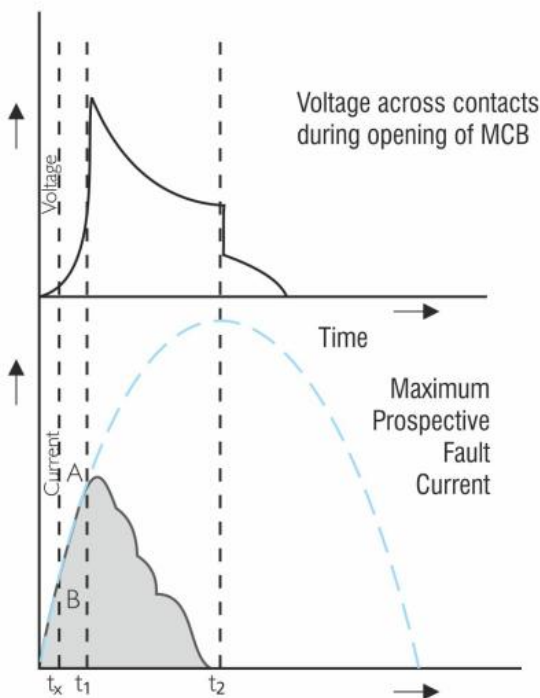
As Per	Thermal Tripping			Magnetic tripping		
	No Tripping	Tripping	Time	Hold	Trip	Time
IS/IEC 60898-1	Current	Current	Limits	Current	Current	Limits
	L1	L2	T	L4	L5	T
B Curve	1.13xIn		≥lh	3xIn		≥0.1 s
		1.45xIn	<lh		5xIn	<0.1 s
C Curve	1.13xIn		≥lh	5xIn		≥0.1 s
		1.45xIn	<lh		10xIn	<0.1 s
D Curve	1.13xIn		≥lh	10xIn		≥0.1 s
		1.45xIn	<lh		20xIn	<0.1 s

The essential distinction between Type B, C or D devices is based on their ability to handle surge currents without tripping. These are, typically, inrush currents associated with fluorescent and other forms of discharge lighting, induction motors, battery charging equipment etc.

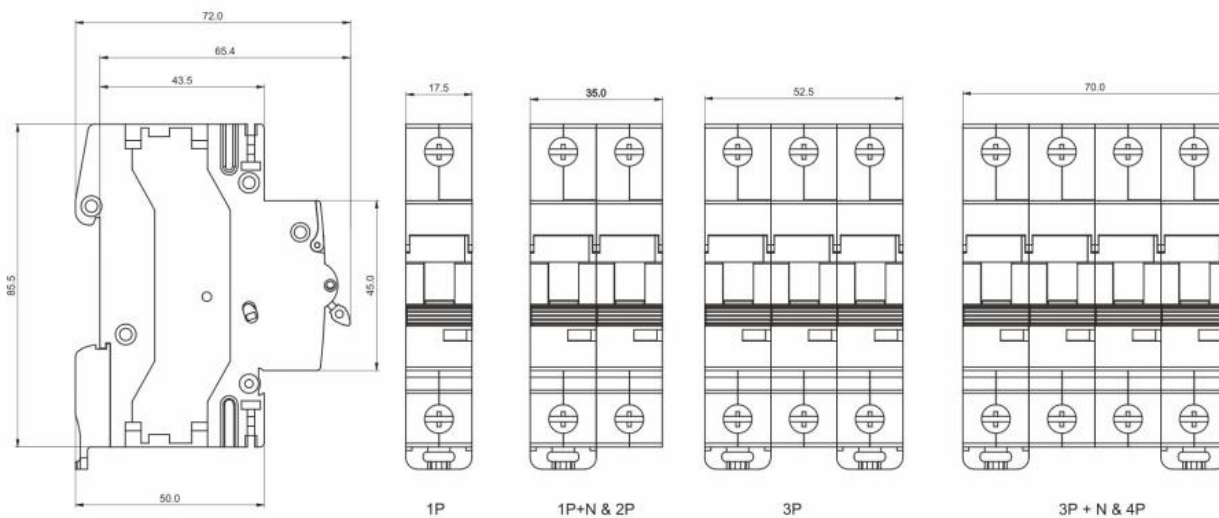
Type B devices are generally suitable for domestic applications. They may also be used in light commercial applications where switching surges are low or non-existent. Type B devices are designed to trip at fault currents between 3 to 5 times rated current. For example a 10A device will trip at 30-50A.

Type C devices are the normal choice for commercial and industrial applications where fluorescent lighting, motors etc. are in use. Type C devices are designed to trip between 5 to 10 times  $I_n$  (50-100A for a 10A device).

### Current Limiting Design



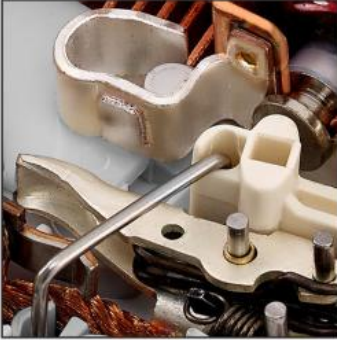
### MCB Dimensions (in mm) 0.5A to 63A



## Technical Specification

Parameter	Remarks
Standard Conformity	IS / IEC 60898 – 1
Tripping Characteristics	B, C & D
Rated Current (In) A	0.5A - 63 A
Rated Voltage (Ue) V	240 / 415 Vac
Rated Frequency (f) Hz	50
No. of Poles ( Execution)	SP / SPN / DP / TP / TPN / FP
Rated Breaking Capacity	10kA
Energy Limiting Class	3
Degree of Protection	IP 20
Type of Trip	Thermal magnetic release
Terminal Capacity (max), mm <sup>2</sup>	35 sqmm. Rigid cable 25 sqmm. Flexible cables
Terminal Tightening Torque	2 Nm
Installation Position	Vertical / Horizontal
Mounting	Clip on DIN Rail ( 35mm x 7.5mm)
Busbar Connections Top terminal	Pin type / Fork type
Busbar Connections bottom terminal	Pin type / Fork type
Rated insulation voltage (Ui)	690 V
Rated Impulse Voltage (Uimp)	4 kV
Dielectric Strength	2.5 kV
Operating Temperature	- 5 deg. C to +55 deg. C
Humidity	95% RH
Vibration	3g
Shock resistance	40mm Free fall
Case & Cover	Flame-retardant thermoplastic material
Electrical / Mechanical Durability ≤32A rating	20000 Operation
Electrical / Mechanical Durability >32A	10000 Operation

# MCB



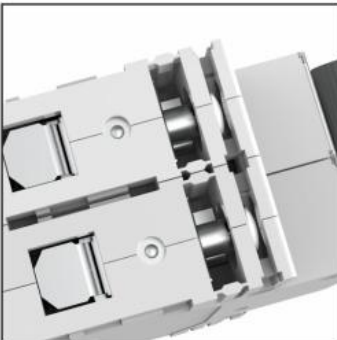
## High Quality Contact Tips

Silver graphite anti-weld contact tips ensure higher life and maximum safety against contact welding thus enhancing safety and life of the device.



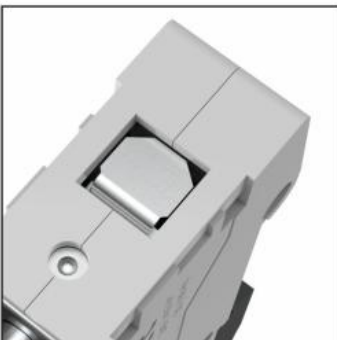
## Label Holder

Transparent coloured label holder positioned above the knob for inserting labels for easy circuit identification,



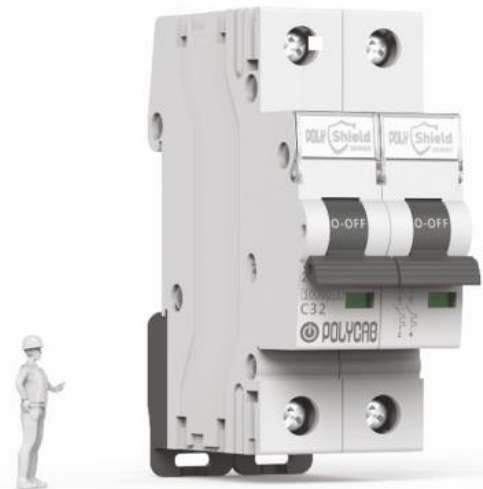
## Large & Dual Terminals

It can accommodate cables upto 35sq.mm cross section area thus making it suitable for copper as well as aluminium cables. Both cable and busbar can be terminated at both the side of MCB

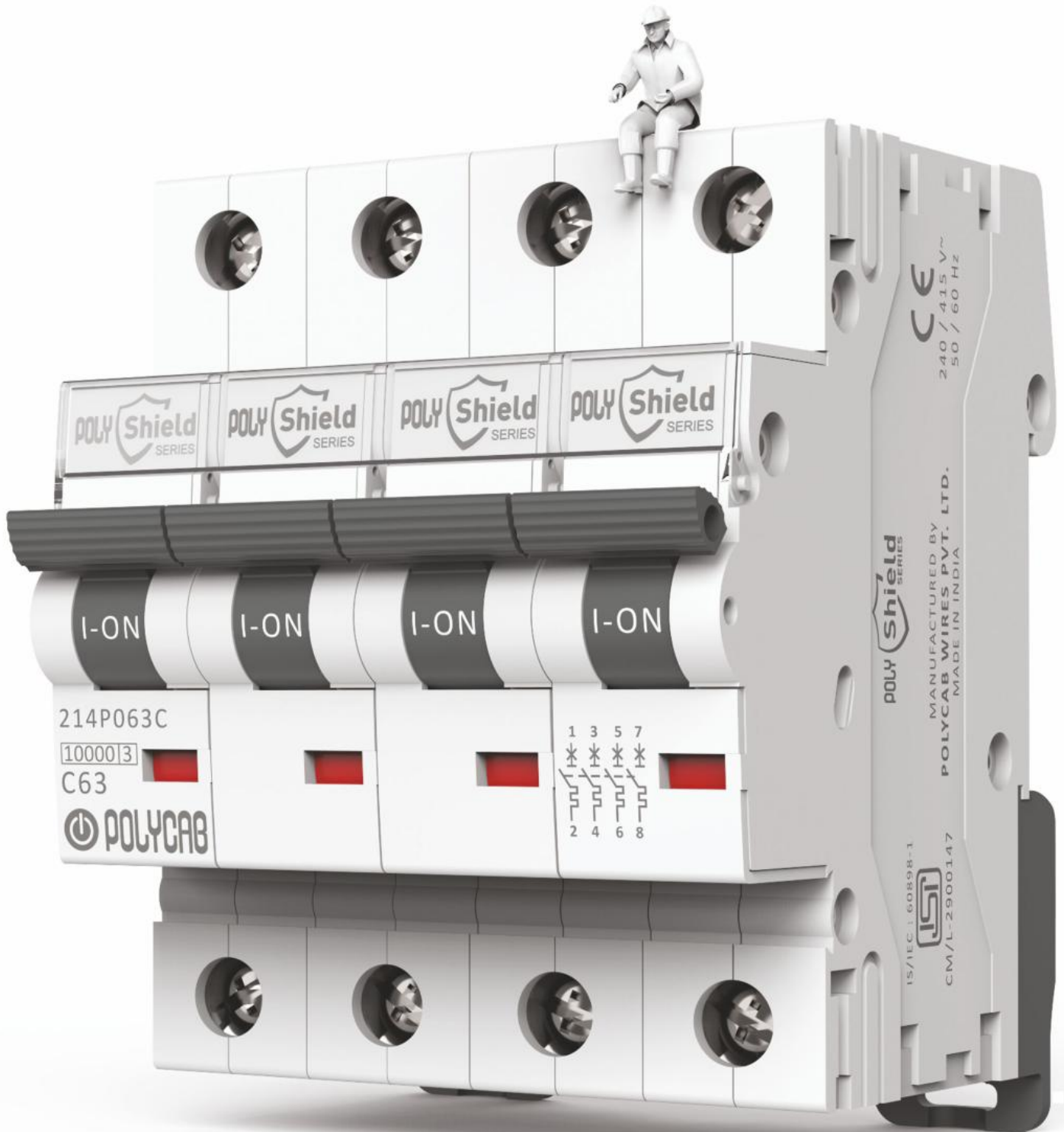


## Locking Shutter

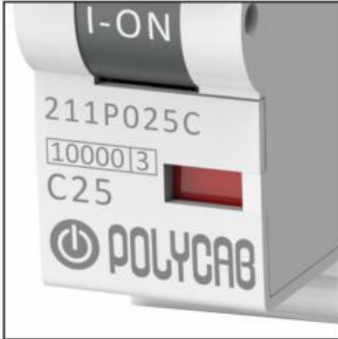
Terminals equipped with shutter to avoid chances of wrong entry of wire during the installation.







# MCB

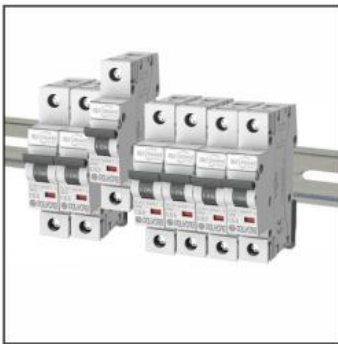


### On/Off Indication

Red & Green flag indication provided below the knob gives indication of positive electrical ON/OFF contact status irrespective of mounting or knob position even from a distance.



**Bi-Stable DIN Clip**  
Easy Mounting  
Strong hold on DIN Rail

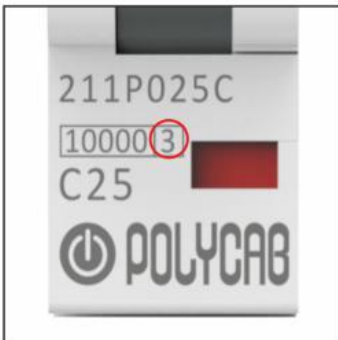


### Easy MCB Extraction

No dismantling of busbar to remove MCB – Unique mounting assembly allows to remove single MCB from shorting busbar without disturbing other MCBs.

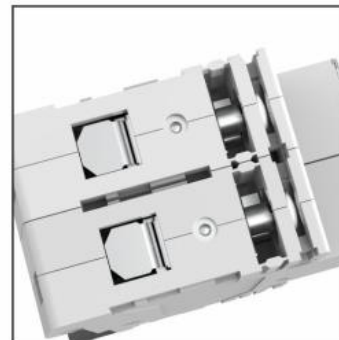


**Ergonomic Dolly**  
Easy to Operate  
ON / OFF Marking to Know the status of MCB



### Energy Limiting Class 3

Low let-through energy  $I^2 T$  under short-circuit conditions ensures longer life of contacts and reduces thermal stresses in the distribution circuit.



**Air Flow Channel**  
Reduces Body Temperature and keeping it cool to provide better performance

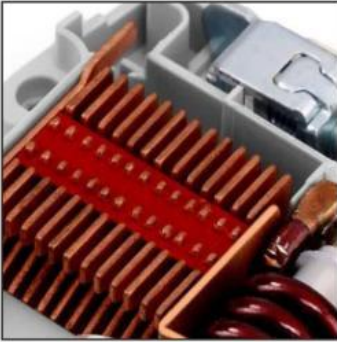


### Neutral Pole Protected

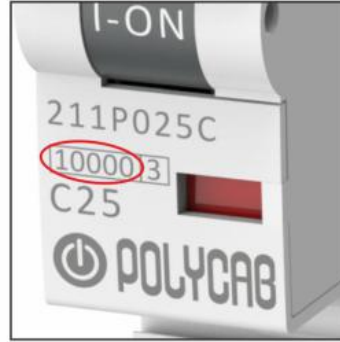
Neutral pole is also protected against short circuit. so even if short circuit occurs at the neutral side, appliance or connected device will be protected.



**Combi Head Screw**  
Ease of Clamping



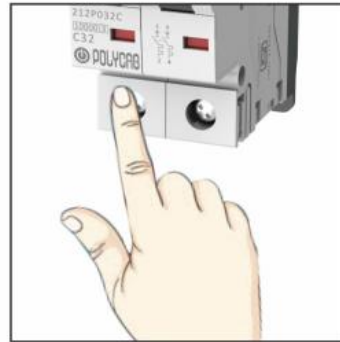
**13 Plates Arc Chamber**  
Quick & Efficient Arc  
Quenching



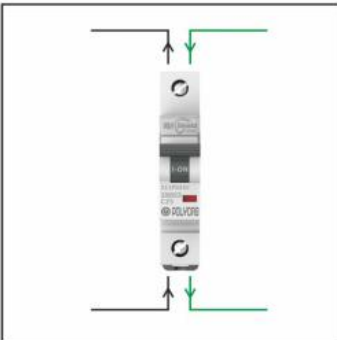
**Breaking Capacity**  
10 kA



**Low Power Loss**  
Power Loss values upto 70%  
lesser than specified by  
IEC/IS, making Poly shield  
MCB one of the most energy  
efficient MCB.



**IP 20 Protection**  
No accidental Contact/  
Shock from live part  
during installation



**Line Load reversibility**  
The line or load can be  
connected to either side of the  
Polycab MCB without any  
reduction in Performance.



**MCB Durability**  
Electrical Life 10,000  
Operation Tested  
Mechanical Life 20,000  
Operation Tested



## Range

### MINIATURE CIRCUIT BREAKER (MCB), B CURVE

	Item Code
Rating (In)	B Curve, SP
6A	GMM101P001
10A	GMM101P002
16 A	GMM101P003
20 A	GMM101P004
25 A	GMM101P005
32 A	GMM101P006
40 A	GMM101P007

### MINIATURE CIRCUIT BREAKER (MCB), C CURVE

	Item Code					
Rating (In)	C Curve, SP	C Curve, SPN	C Curve, DP	C Curve, TP	C Curve, TPN	C Curve, FP
<b>6A</b>	GMM201P001	GMM201N001	GMM202P001	GMM203P001	GMM203N001	GMM204P001
<b>10A</b>	GMM201P002	GMM201N002	GMM202P002	GMM203P002	GMM203N002	GMM204P002
<b>16 A</b>	GMM201P003	GMM201N003	GMM202P003	GMM203P003	GMM203N003	GMM204P003
<b>20 A</b>	GMM201P004	GMM201N004	GMM202P004	GMM203P004	GMM203N004	GMM204P004
<b>25 A</b>	GMM201P005	GMM201N005	GMM202P005	GMM203P005	GMM203N005	GMM204P005
<b>32 A</b>	GMM201P006	GMM201N006	GMM202P006	GMM203P006	GMM203N006	GMM204P006
<b>40 A</b>	GMM201P007	GMM201N007	GMM202P007	GMM203P007	GMM203N007	GMM204P007
<b>63 A</b>	GMM201P008	GMM201N008	GMM202P008	GMM203P008	GMM203N008	GMM204P008

### MINIATURE CIRCUIT BREAKER (MCB), D CURVE

	Item Code			
Rating (In)	"D" Curve SP	"D" Curve DP	"D" Curve TP	"D" Curve FP
<b>6A</b>	GMM301P001	GMM302P001	GMM303P001	GMM304P001
<b>10A</b>	GMM301P002	GMM302P002	GMM303P002	GMM304P002
<b>16A</b>	GMM301P003	GMM302P003	GMM303P003	GMM304P003
<b>20A</b>	GMM301P004	GMM302P004	GMM303P004	GMM304P004
<b>25A</b>	GMM301P005	GMM302P005	GMM303P005	GMM304P005
<b>32A</b>	GMM301P006	GMM302P006	GMM303P006	GMM304P006
<b>40A</b>	GMM301P007	GMM302P007	GMM303P007	GMM304P007
<b>63A</b>	GMM301P008	GMM302P008	GMM303P008	GMM304P008

## LOW RATING (MCB)

Rating (In)	Item Code			
	C Curve, SP	C Curve, DP	C Curve, TP	C Curve, FP
0.5A	GMM201P012	GMM202P012	GMM203P012	GMM204P012
1A	GMM201P013	GMM202P013	GMM203P013	GMM204P013
2A	GMM201P014	GMM202P014	GMM203P014	GMM204P014
3A	GMM201P015	GMM202P015	GMM203P015	GMM204P015
4A	GMM201P016	GMM202P016	GMM203P016	GMM204P016
5A	GMM201P017	GMM202P017	GMM203P017	GMM204P017

\* HIGHER CURRENT RATING MCB

## Technical Specification

Parameter	Remarks
Protection	Overload & Short circuit
Standard Conformity	IS / IEC 60947 – 2
Tripping Characteristics	C
Rated Current (In) A	80, 100, 125A
Rated Voltage (Ue) V	240 / 415 Vac
Rated Frequency (f) Hz	50
No. of Poles ( Execution)	SP / DP / TP / FP
Rated Breaking Capacity	10kA
Energy Limiting Class	3
Degree of Protection	IP 20
Type of Trip	Thermal magnetic release
Terminal Capacity (max), mm <sup>2</sup>	50 sqmm.
Terminal Tightening Torque	2.5 Nm
Installation Position	Vertical / Horizontal
Mounting	Clip on DIN Rail ( 35mm x 7.5mm)
Busbar Connections Top terminal	Pin type / Fork type
Busbar Connections bottom terminal	Pin type / Fork type
Rated insulation voltage (Ui)	690 V
Rated Impulse Voltage (Uimp)	4 kV
Dielectric Strength	2.5 kV
Operating Temperature	- 5 deg. C to +55 deg. C
Humidity	95% RH
Vibration	3g
Shock resistance	40mm Free fall
Case & Cover	Flame-retardant thermoplastic material
<b>Endurance</b>	
Electrical	4000 Operation
Mechanical	10000 Operation

\* Available on Request

## DC MCB (Direct Current Miniature Circuit Breaker)

Poly shield DC MCB are supplementary protector designed to provide over current protection to appliances or electrical equipment, where a branch circuit protection is already provided or not required. Devices are designed for direct current (DC) control circuit applications.

### Technical Specification

Parameter	Remarks
Rated Current In	0.5A - 63A
Operating Voltage (Ue)	1P = 250V DC, 2P = 500V DC 4P = 1000V DC
Rated Insulation Voltage (Ui)	1,000 V DC
Breaking Capacity (Icu)	6kA
Impulse Voltage (Uimp)	4kV
No. of Poles	1P, 2P, 4P
Standards	IEC 60947-2, EN 60947-2
Degree of Protection	IP20
Endurance	
Electrical	4,000 Operations
Mechanical	20,000 Operations
Operating Temperature	-5°C to +55°C
Curve Type	C
Trip Type	Thermal magnetic
Terminal Capacity (max), mm <sup>2</sup>	35 sqmm. Rigid cable 25 sqmm. Flexible cables

### Typical Applications



Railways



Power

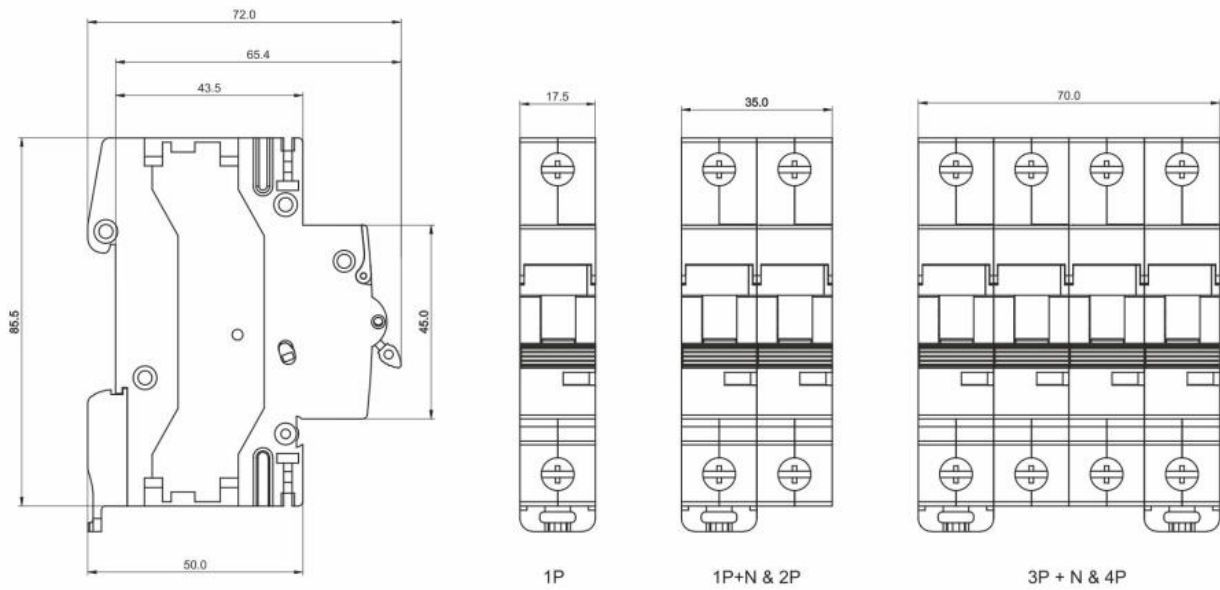


Home



Building

## Dimensions (mm)



## Range

Rating (In)	Item Code	
	C Curve, SP	C Curve, DP
0.5A	GMM401P012	GMM402P012
1A	GMM401P013	GMM402P013
2A	GMM401P014	GMM402P014
3A	GMM401P015	GMM402P015
4A	GMM401P016	GMM402P016
5A	GMM401P017	GMM402P017
6A	GMM401P001	GMM402P001
10A	GMM401P002	GMM402P002
16A	GMM401P003	GMM402P003
20A	GMM401P004	GMM402P004
25A	GMM401P005	GMM402P005
32A	GMM401P006	GMM402P006
40A	GMM401P007	GMM402P007
50A	GMM401P018	GMM402P018
63A	GMM401P008	GMM402P008

Note : 4 Pole DC MCB (1000V) also available on request

## ISOLATORS

Polycab Isolators can be used as a main switch in wide variety of applications. These isolators are tested according to IEC / EN 60947-3 standards and fulfill the requirements for isolation function.

Utilization category ensures possibility of switching mixed resistive and inductive loads with low overloads. Isolators are produced in modular design with width one module unit for all versions up to 4-pole.

### Technical Specifications

Parameter	Remarks
Standard Conformity	IEC 60947-3
Rated Current (In)	1P = 40A & 63A, 2P / 3P / 4P = 40A to 125A
Rated Voltage ( Ue)	240V ac
Rated Frequency (f) Hz	50
No. of Poles	1P / 2P / 3P & 4P
Rated Insulation Voltage(Ui)	690V
Rated Impulse Voltage (Uimp)	4kV
Degree of Protection	IP20
Terminal Capacity (max), mm <sup>2</sup>	35 sqmm. Rigid cable 25 sqmm. Flexible cables
Terminal Tightening Torque	2 Nm
Installation Position	Vertical / Horizontal
Mounting	Clip on DIN Rail ( 35mm x 7.5mm)
Busbar Connections Top terminal	Pin type / Fork type
Busbar Connections bottom terminal	Pin type / Fork type
Operating Temperature	- 5 deg. C to +55 deg. C
Humidity	95% RH
Vibration	3g
Shock resistance	40mm Free fall
Case & Cover	Flame-retardant thermoplastic material
Electrical / Mechanical Durability	> 10000 Operation

### Range

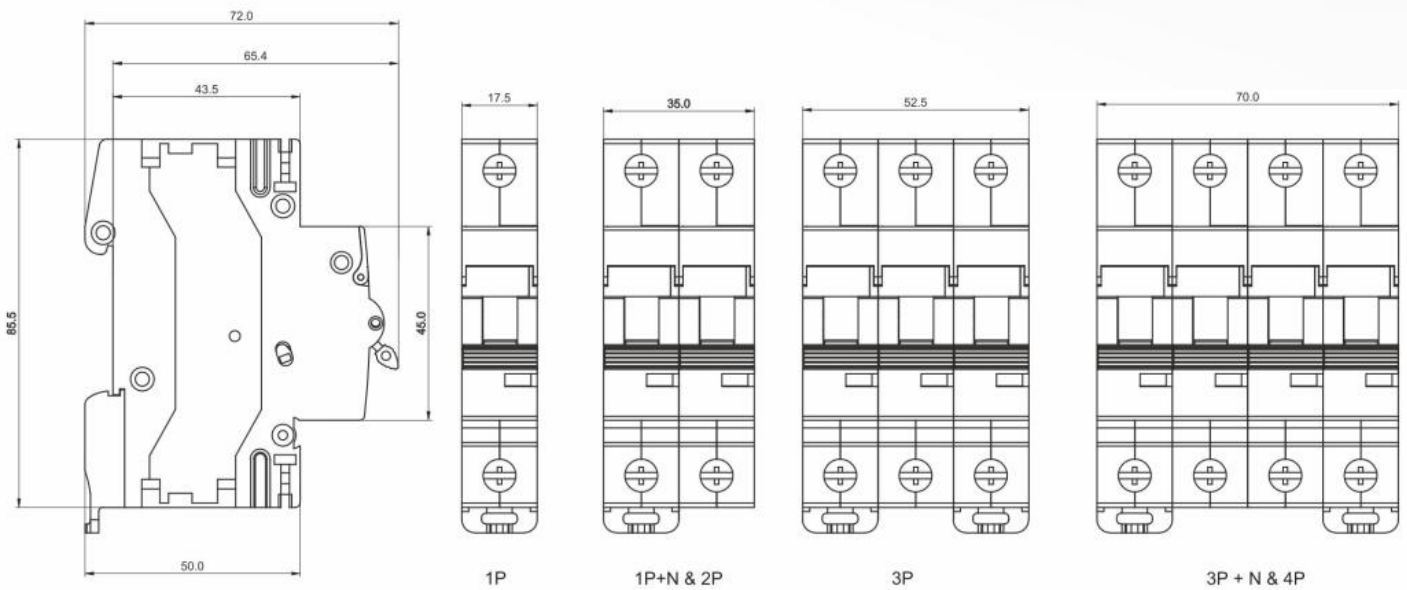
Rating (In)	Item Code			
	SP	DP	TP	FP
40 A	GMS501P001	GMS502P001	GMS503P001	GMS504P001
63 A	GMS501P002	GMS502P002	GMS503P002	GMS504P002
80 A	-	GMS502P003	GMS503P003	GMS504P003
100A	-	GMS502P004	GMS503P004	GMS504P004
125A	-	GMS502P005	GMS503P005	GMS504P005



## ISOLATORS



### Dimension (mm)

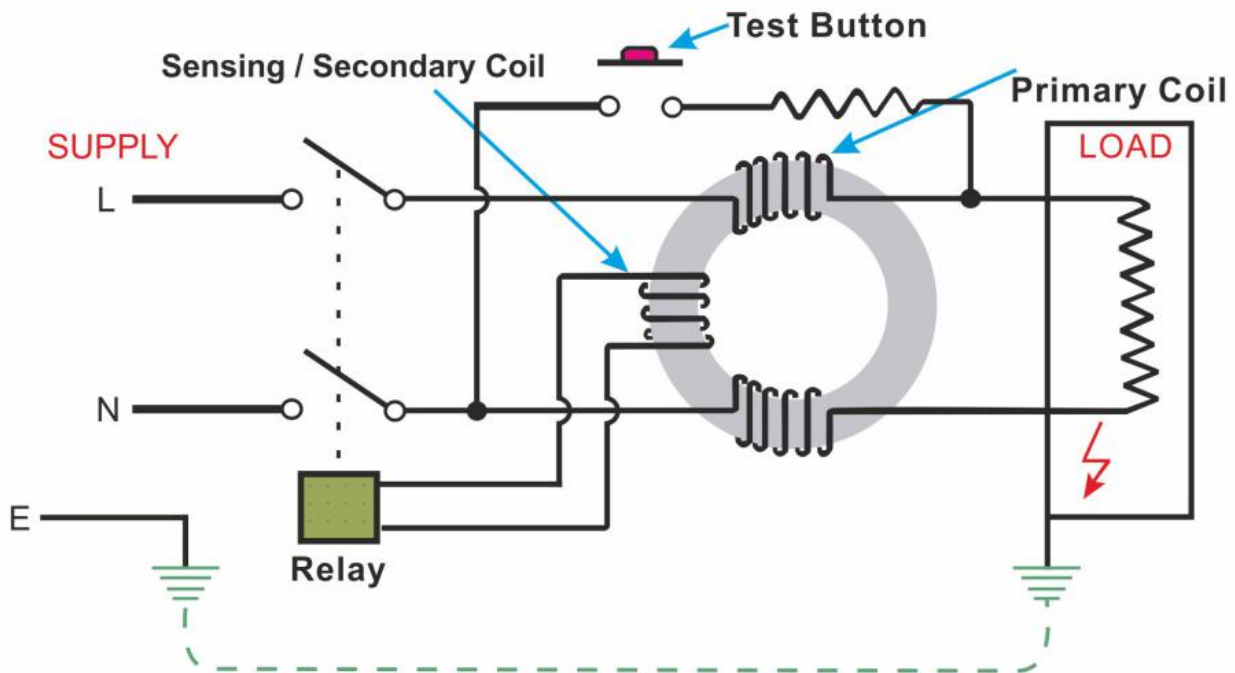


## RESIDUAL CURRENT CIRCUIT BREAKER (RCCB)

Polysield's Residual Current circuit breaker for earth leakage protection. It is to be used in association with miniature circuit breakers, its function is to detect earth leakage current and open the connected circuit to protect people and equipment. These devices are designed to meet the Earth Leakage Protection Standards of the IEC: IEC/EN 61008-1, IS-12640-1.

### WORKING PRINCIPLE

Polycab Poly shield RCCB works on the current balance principle. The supply conductors, i.e. the phases and the neutral, are passed through a toroid and form the primary windings of a current transformer. Its secondary winding is connected to a highly sensitive electromagnetic trip relay, which operates the trip mechanism. In a healthy circuit sum of the currents in phases, is equal to the current in the neutral and the vector sum of all currents is equal to zero. If there is any insulation fault in the circuit and leakage current flows to earth the currents do not balance and their vector sum is not equal to zero. The RCCB is tripped and supply to load is interrupted.



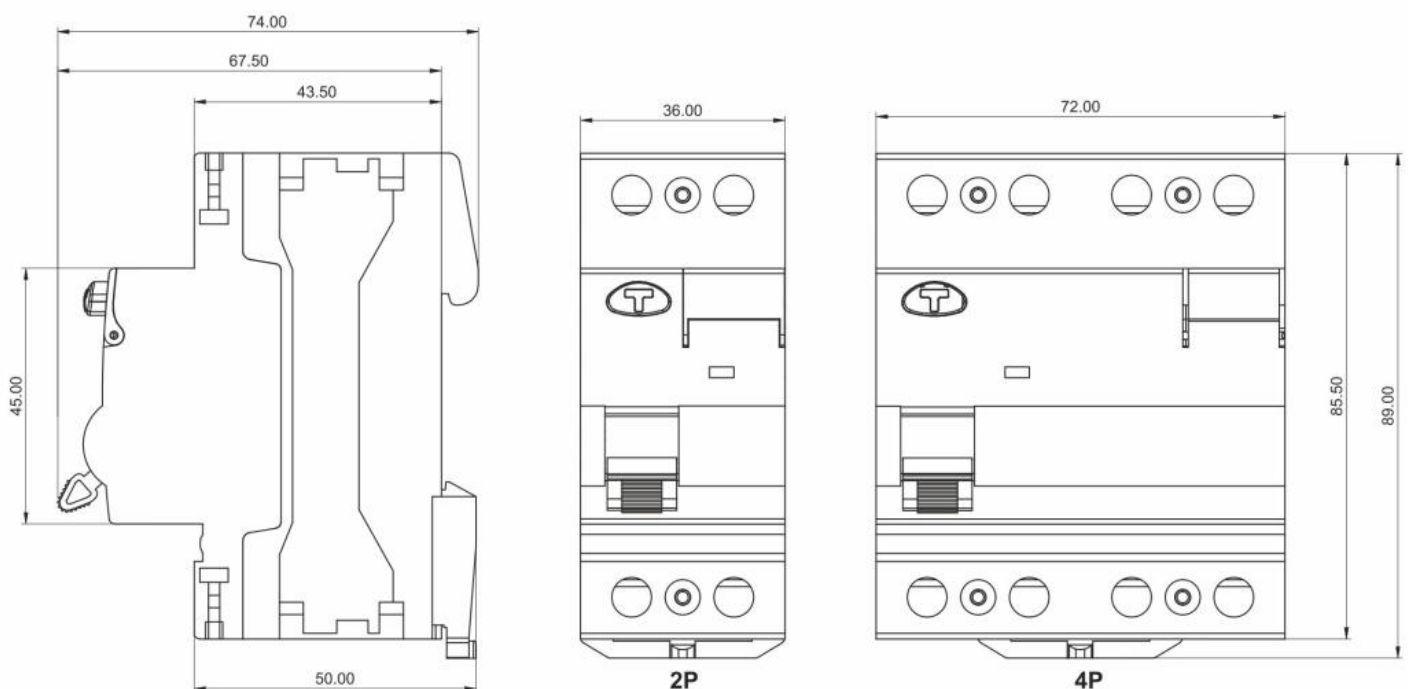
### Range

Rating(In)	Sensitivity	Item Code	
		DP	FP
25A	30mA	GMR602P003	GMR604P003
	100mA	GMR602P009	GMR604P009
	300mA	GMR602P015	GMR604P015
40A	30mA	GMR602P005	GMR604P005
	100mA	GMR602P011	GMR604P011
	300mA	GMR602P017	GMR604P017
63A	30mA	GMR602P006	GMR604P006
	100mA	GMR602P012	GMR604P012
	300mA	GMR602P018	GMR604P018

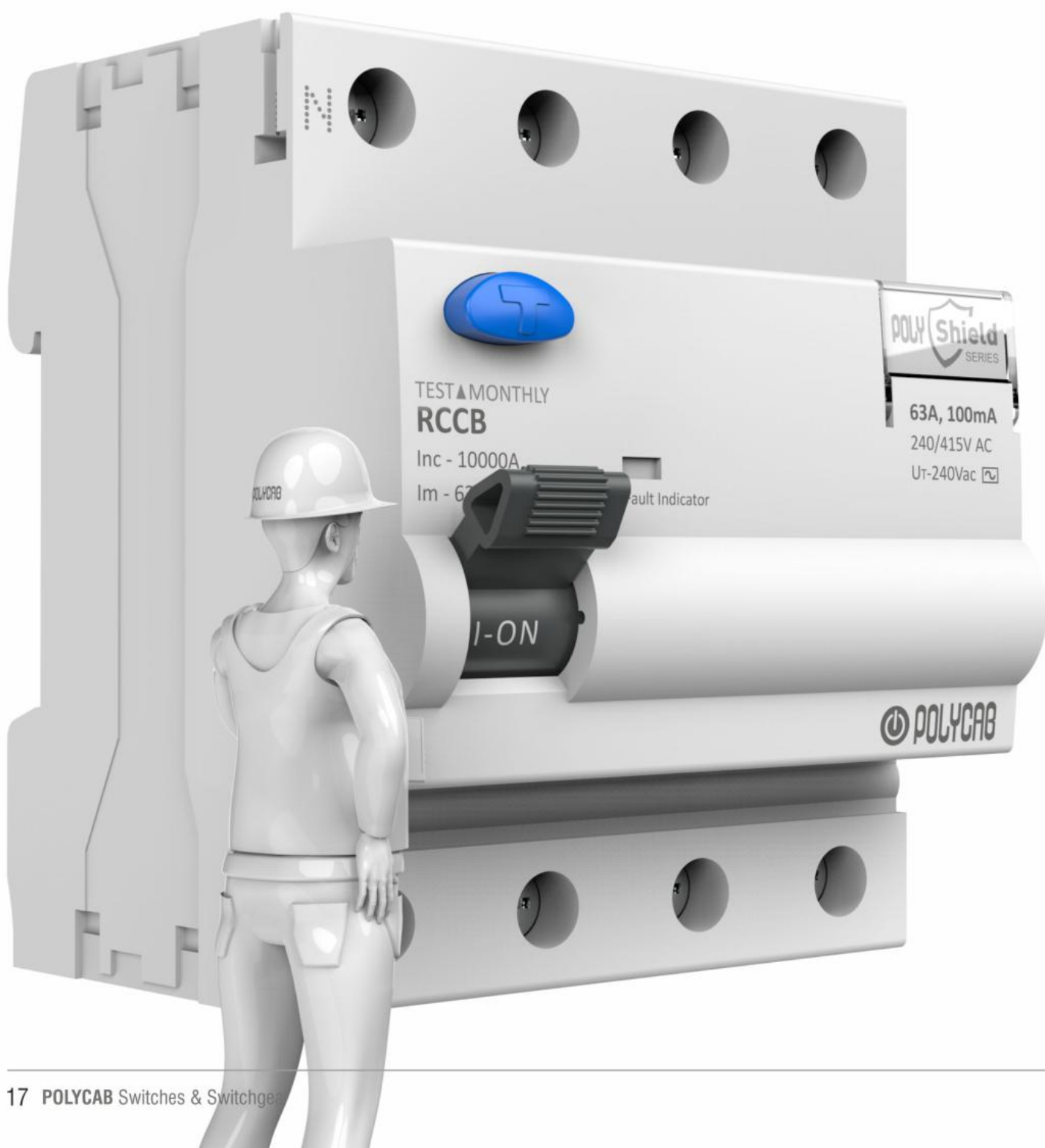
## Technical Specifications

Parameter	Remarks
<b>Protection</b>	Leakage Current / Ground fault
<b>Rated Current, (In)</b>	25, 40, 63A
<b>Rated Residual Current</b>	
Operating, $I_{\Delta n}$	30, 100, 300mA (non-adjustable)
Non-operating, $I_{\Delta no}$	0.5 $I_{\Delta n}$
<b>Poles</b>	1P+N, 3P+N
<b>Rated Voltage</b>	230VAC(1P+N), 230/415VAC(3P+N)
<b>Residual Current Off-time</b>	$\leq 0.3$ sec.
<b>Standard</b>	IS 12640-1 & IEC 61008-1
<b>Breaking Capacity</b>	10kA
<b>Endurance</b>	
Electrical	4,000 Operations
Mechanical	10,000 Operations
<b>Mount</b>	On 35mm DIN rail
<b>Type of operation</b>	AC
<b>Terminal Protection</b>	IP20
<b>Operating Temperature</b>	- 5 deg. C to +55 deg. C

## Dimensions (mm)



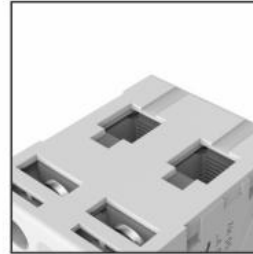
# RCCB





#### Test Button

To check the healthiness of device, periodically



#### Large & Dual Termination

It can accommodate cables up to 35sq.mm cross section area thus making it suitable for copper as well as aluminium cables. Both cable and busbar can be terminated at both the side.



#### Combi-head Screw

Ease of clamping or tightening the screw



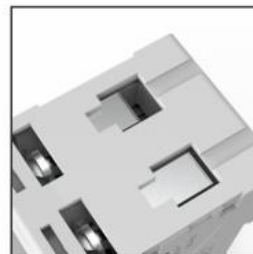
#### Label Holder

Transparent coloured label holder positioned above the knob for inserting labels for easy circuit identification.



#### Advance Neutral

It closes the neutral first while making connection and open last while disconnecting the circuit



#### Safety Terminal

Terminals equipped with shutter to avoid chances of wrong entry of wire during the installation.

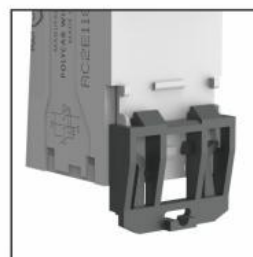


#### Real trip Indication

It provides the real trip indication of fault occurred in the circuit.

White - On / Off Indication

Red - Trip Indication



#### Easy DIN Extraction

No dismantling of busbar to remove RCCB – Unique mounting assembly allows to remove it without disturbing other devices.

## RESIDUAL CURRENT CIRCUIT BREAKER WITH OVER CURRENT PROTECTION (RCBO)

Polycab Poly shield RCBO is a single composite device which provides protection against over currents, short-circuit and earth leakage faults, it comes in the same width and profile as that of a standard MCB. It is designed for use in domestic, commercial and industrial distribution systems at the most downstream circuit for ensuring high degree of protection to the user.

### Range

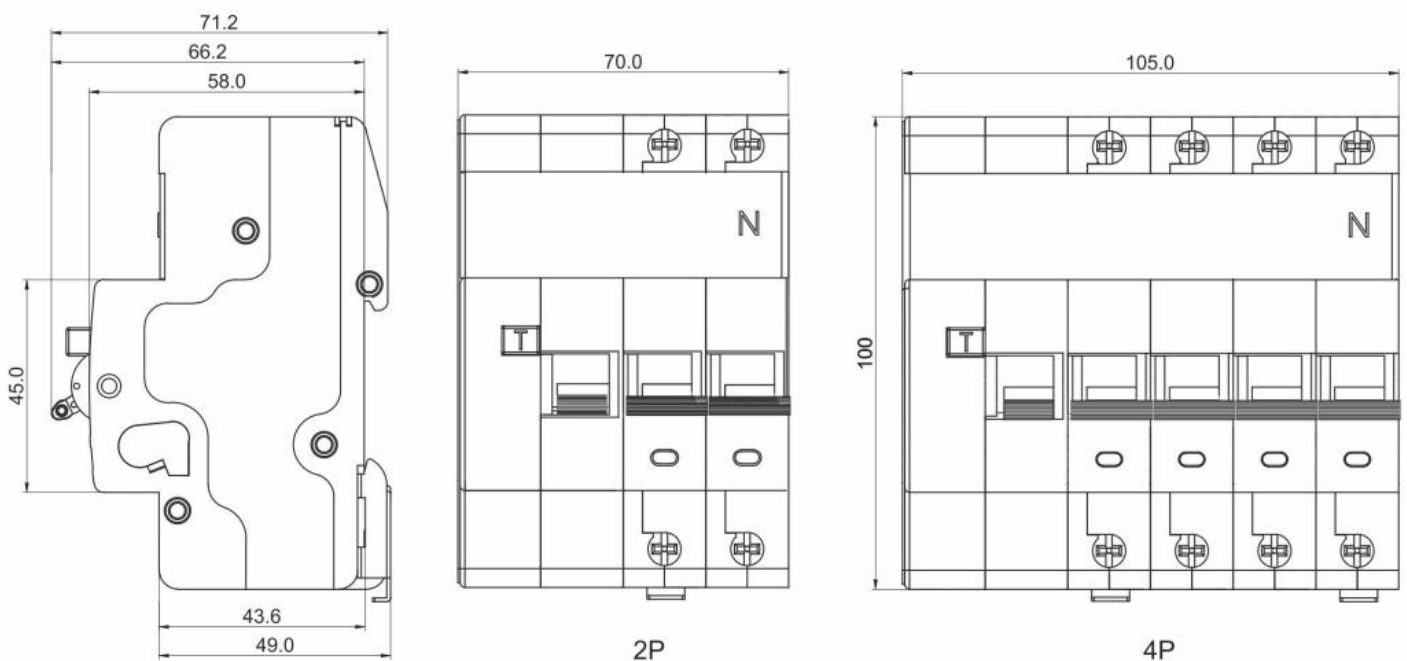
Rating(In)	Sensitivity	Item Code	
		DP	FP
6A	30mA	GMB101N001	GMB103N001
	100mA	GMB201N001	GMB203N001
	300mA	GMB301N001	GMB303N001
10A	30mA	GMB101N002	GMB103N002
	100mA	GMB201N002	GMB203N002
	300mA	GMB301N002	GMB303N002
16A	30mA	GMB101N003	GMB103N003
	100mA	GMB201N003	GMB203N003
	300mA	GMB301N003	GMB303N003
20A	30mA	GMB101N004	GMB103N004
	100mA	GMB201N004	GMB203N004
	300mA	GMB301N004	GMB303N004
25A	30mA	GMB101N005	GMB103N005
	100mA	GMB201N005	GMB203N005
	300mA	GMB301N005	GMB303N005
32A	30mA	GMB101N006	GMB103N006
	100mA	GMB201N006	GMB203N006
	300mA	GMB301N006	GMB303N006
40A	30mA	GMB101N007	GMB103N007
	100mA	GMB201N007	GMB203N007
	300mA	GMB301N007	GMB303N007
63A	30mA	GMB101N008	GMB103N008
	100mA	GMB201N008	GMB203N008
	300mA	GMB301N008	GMB303N008

## Technical Specifications

Parameter	Remarks
<b>Protection</b>	Earth Leakage and Overcurrent
<b>Rated Current, (In)</b>	6A - 63A
<b>Rated Residual Current</b>	
Operating, $I_{\Delta n}$	30, 100, 300mA (non-adjustable)
Non-operating, $I_{\Delta no}$	0.5 $I_{\Delta n}$
<b>Poles</b>	1P+N, 3P+N
<b>Rated Voltage</b>	230VAC(1P+N), 230/415VAC(3P+N)
<b>Residual Current Off-time</b>	≤0.3 sec.
<b>Standard</b>	IS: 12640 (Part 2): 2001 & IEC: 61009-2-1
<b>Breaking Capacity</b>	10kA
<b>Endurance</b>	
Electrical	4,000 Operations
Mechanical	10,000 Operations
<b>Mount</b>	On 35mm DIN rail
<b>Type of operation</b>	AC
<b>Terminal Protection</b>	IP20
<b>Operating Temperature</b>	-5 deg. C to +40 deg. C

\* A Type on Request

## Dimensions (mm)



# RCBO



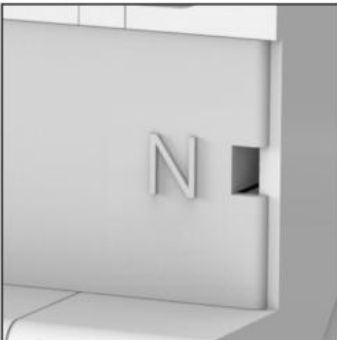
### Mid-Trip Indication

The knob gets in mid position while tripping because of Electrical fault.



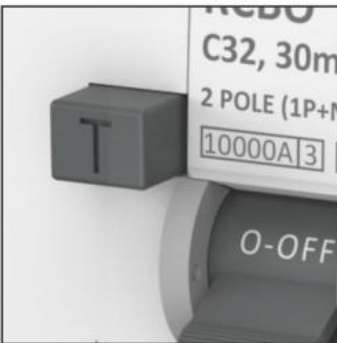
### Contact Position Indicator

Red & Green flag indication provided below the knob gives indication of positive electrical ON/OFF contact status irrespective of mounting or knob position even from a distance.



### Neutral Marking

For Ease of installation



### Test Button

To check the healthiness of device, periodically





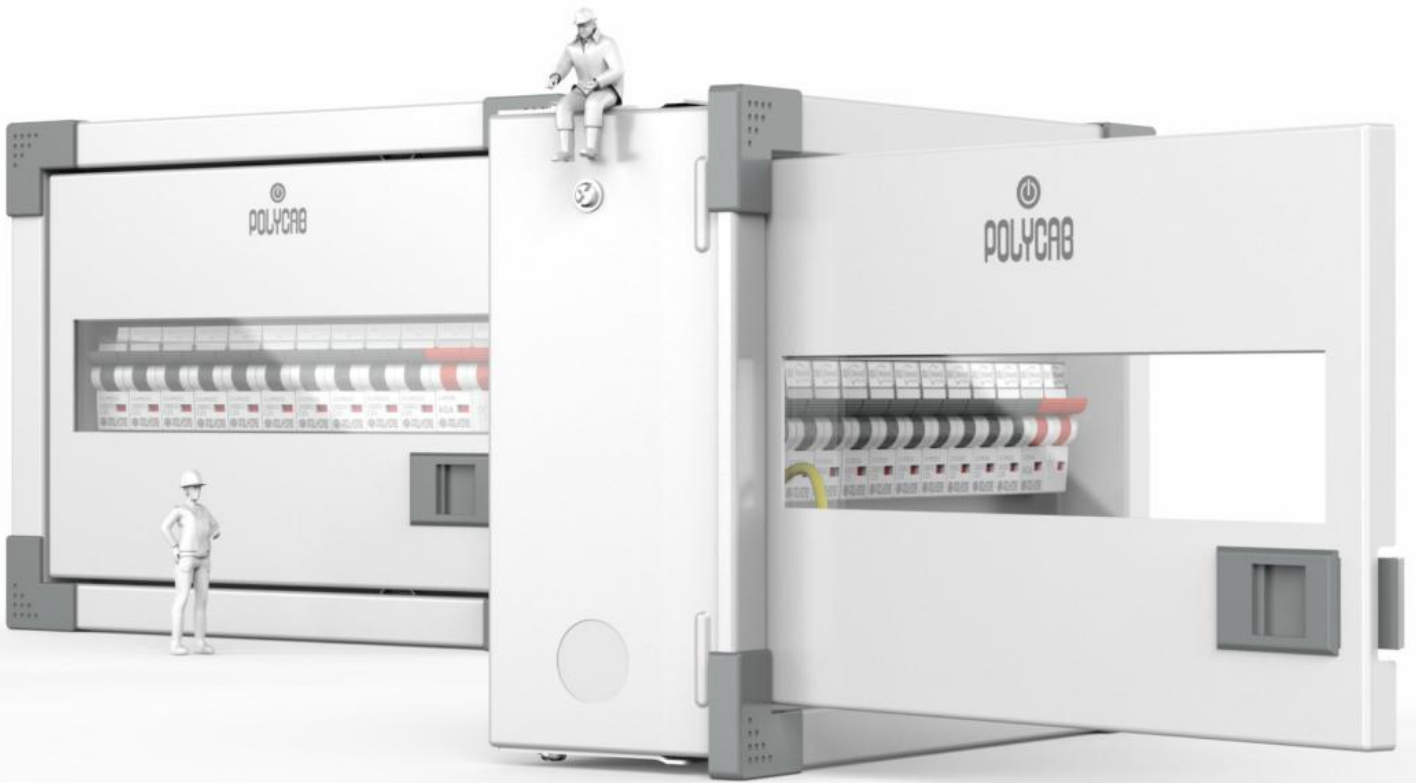


# DISTRIBUTION BOARDS

**Polycab Distribution boards are used for the supply and control of electric installations. More analytically they are used for:**

- Separating the installation in various circuits in proportion of the installed load.
- Better protection of circuits.
- Maintenance purpose, so that the rest of the circuits are not effected.
- Each circuit can be individually isolated to have uninterrupted performance under fault condition.





## Distribution Board - Range & Features

**Detachable Gland Plate on top & Bottom**  
-ease of installation

**Knock-outs on Top**  
-ease of installation

**Earthing Bolt**

**Knock-out on side**  
-ease of installation

**Knock-out on side**  
-ease of installation

**Earthing Bolt**

**Cement Marking**  
assisting proper concealing  
of base box

**Knock-outs at bottom**  
-ease of installation

**Raised Neutral Link**  
High quality brass  
neutral and earth  
links to prevent  
temperature rise  
and promote safe  
operation

**Adjustable  
DIN Rail**

**Surface Mounting Holes**

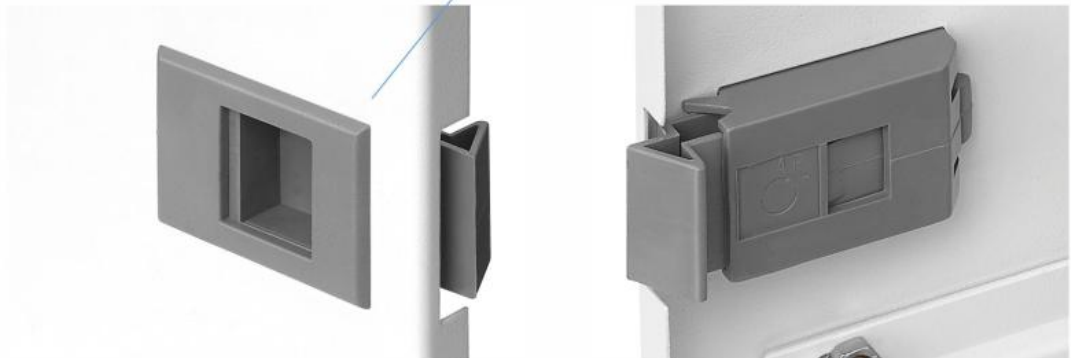
**Raised  
Earth Link**

**Wiring Kit** consists of  
Wire set for in-coming & Out-going  
Insulated Busbar  
Circuit Labels  
Dummy / Blank  
Wire knots

## Photo Frame Design



**Locking Knob**  
Smooth and easy to operate door opening and closing with aesthetically designed knob

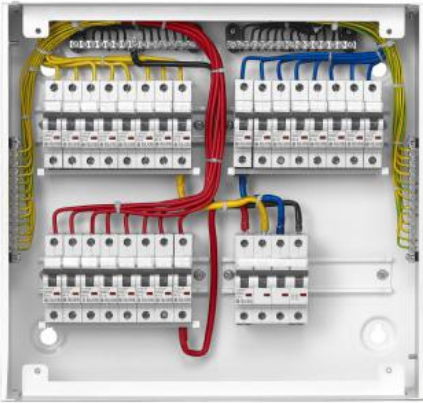


**Cement Spill Protector**  
Normally MCB installation takes place after couple concealing. These quality spill protector cover the base box so that it would be protected from cement, dust or insects etc.



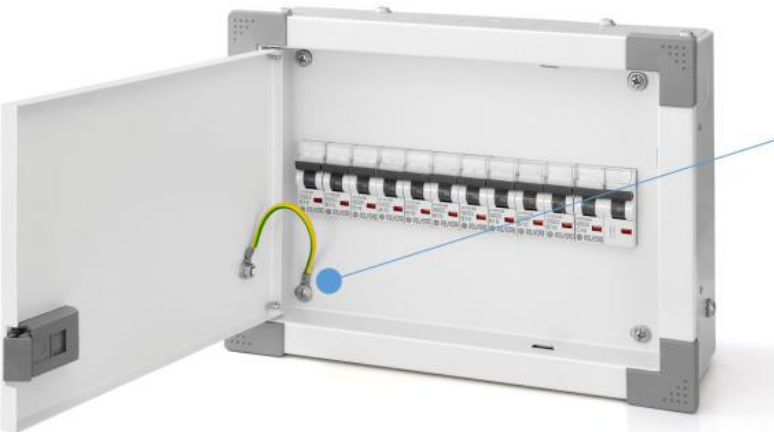
**DB's Front Door Packaging**  
Front Door comes with separate box packing to keep it safe and to use it at the end of installation.

## Distribution Board - Range & Features



**Ample wiring space for easy installation**

**End stopper to lock the Device coming out from the DIN rail**



**Door Earthing**  
To provide electrical safety to the End User

**Door Clamping**  
Engineered clamping to provide door stability during use and also to give 120 deg. operational angle.



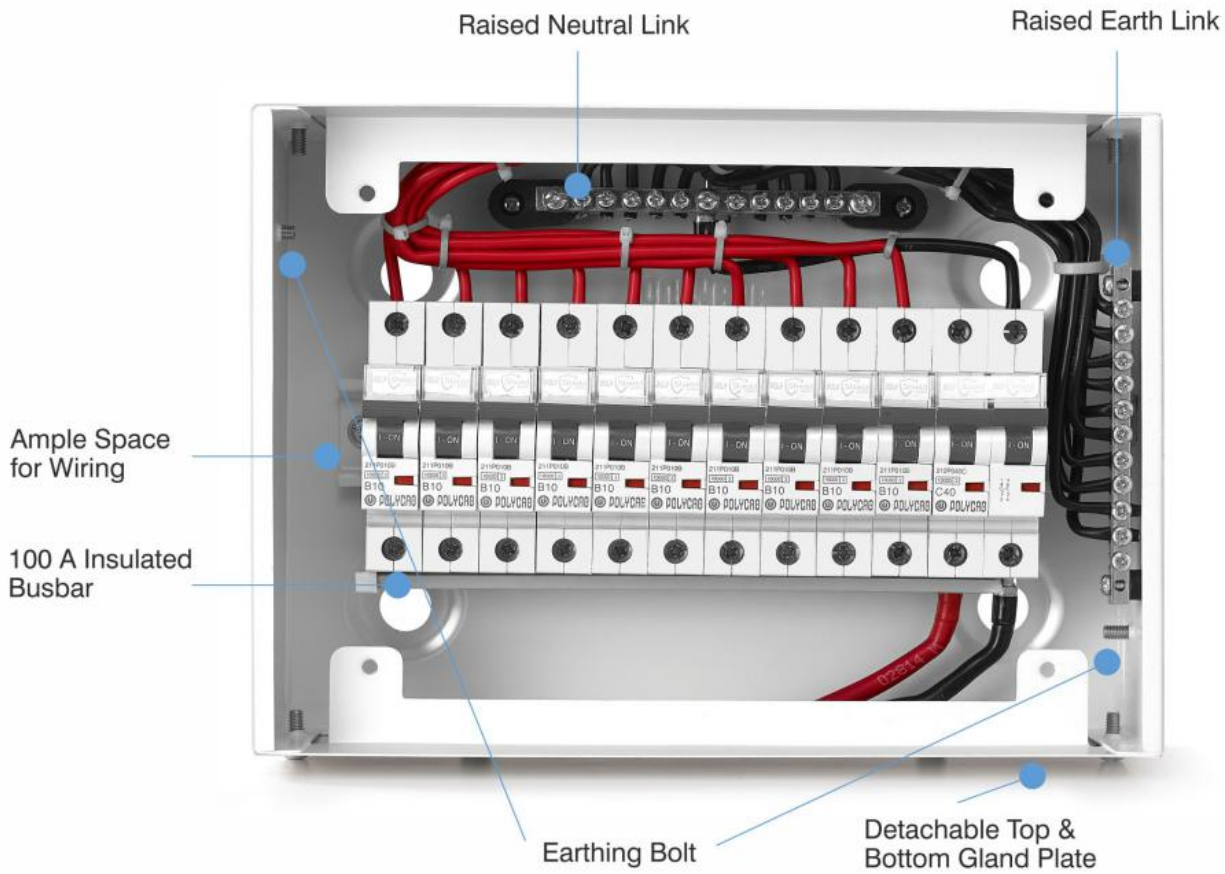
**Insulated Busbar**  
100A rated electrolytic copper busbar for high performance and provides the installation safety to the installer.

## Technical Specification

Parameter	Remarks
Rated Operational Voltage	230V / 415 V
Rated Current	100 A
Rated Frequency	50 Hz
<b>Busbar Data</b>	
Rated Insulation Voltage	800V
Rated Impulse withstand Voltage	8kV
Rated Short time withstand Current	10kA, 1 sec
Busbar Material	electrolytic flat copper bars, electro tinned after fabrication.
Busbar Support	Made out of Glass Reinforced Polyester Material
Busbar Arrangement	Busbars are mounted vertically on high quality supports.
<b>Enclosure Data</b>	
Degree of Protection	IP 30 / IP 42
Enclosure Material & Construction	Folded sheet steel construction, manufactured from electro galvanized cold rolled Zinc Phosphated steel sheets,
Finish	Sheet steel parts are passed through a 7 stage pre-treatment system and then provided with electrostatic Polyester powder coating.
Standard Colour	RAL - 9003, fine white texture ( Grey White)
Installation	Wall mounted (Surface mounted/Flush Type)
Entry of Cables	Top / Bottom / Sides
Access	Front
Door Type	Single Door / Double Door
Standards	IS 13032, IS 8623, IEC/BSEN 61439-3
Neutral bar terminal capacity	6 sq. mm.
Earthing bar terminal capacity	6 sq. mm.
Ambient temperature	-5 deg. C to +55 deg. C

## SPN Distribution Board - Single Door

### Base Box



### Isometric View





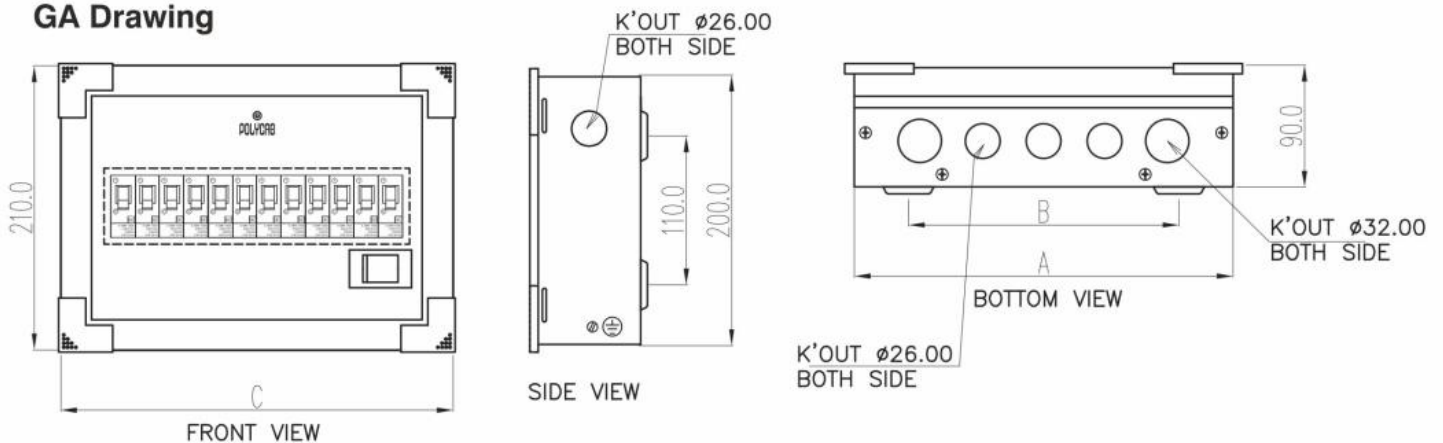
## Range

No. of Ways	No. of MCB(1 Pole)	Item Code
4W	I/C + O/G : 4	GPDSN10016
6W	I/C + O/G : 6	GPDSN10017
8W	I/C + O/G : 8	GPDSN10018
12W	I/C + O/G : 12	GPDSN10019
16W	I/C + O/G : 16	GPDSN10020

## Features

- Conforms to IS 13032, IS 8623, IEC / BSEN 61439 - 3
- IP 30 protection
- Single Door DB
- High quality brass neutral and earth links to prevent temperature rise and promote safe operation.
- Suitable for Flush & Surface mounting
- Detachable Gland Plate

## GA Drawing

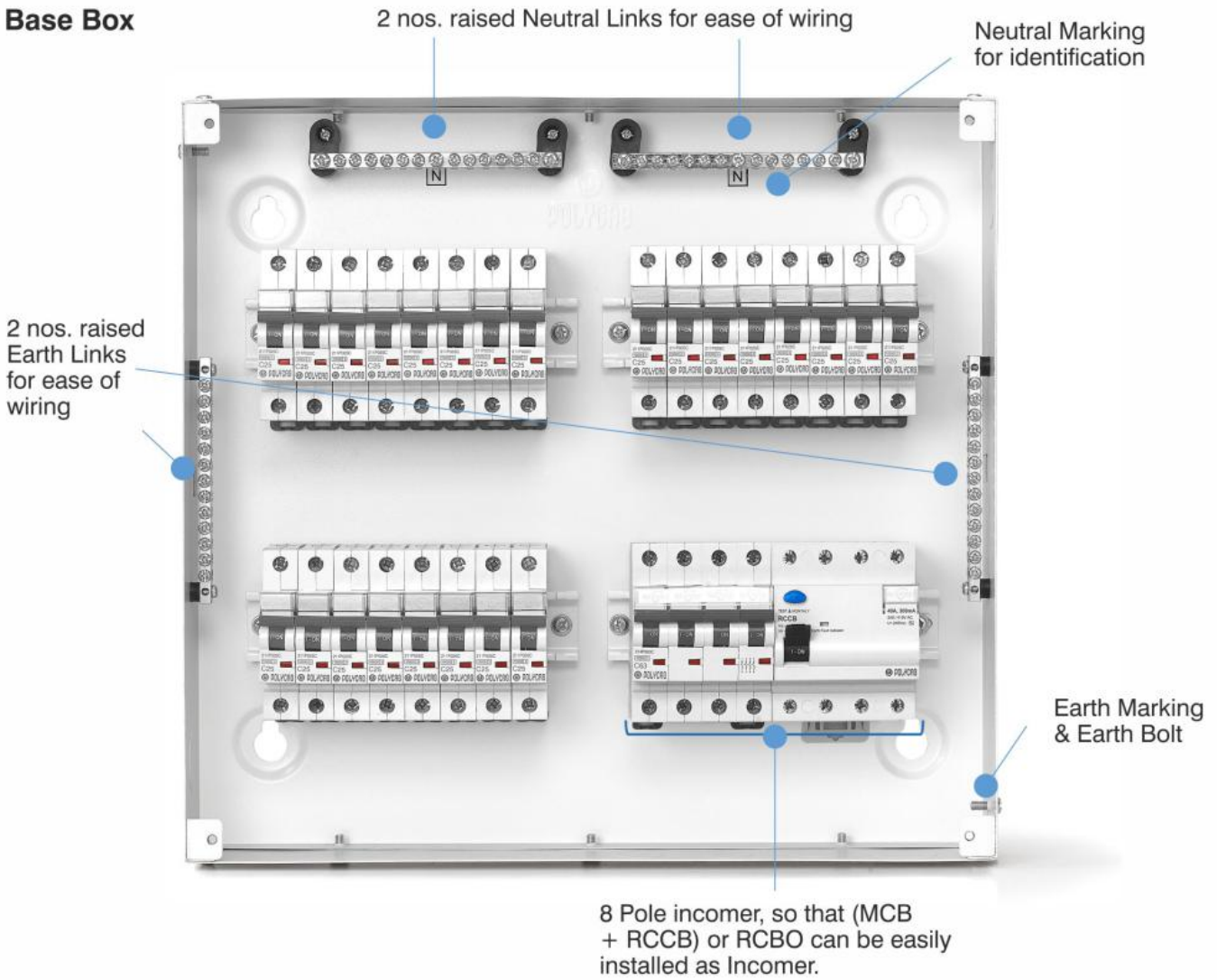


## Dimensions (mm)

WAY	A	B	C	D
04	132	62	142	72
06	168	98	178	108
08	204	134	214	144
12	276	206	256	216
16	348	278	358	288

## TPN Distribution Board - Single Door

### Base Box



### Isometric View



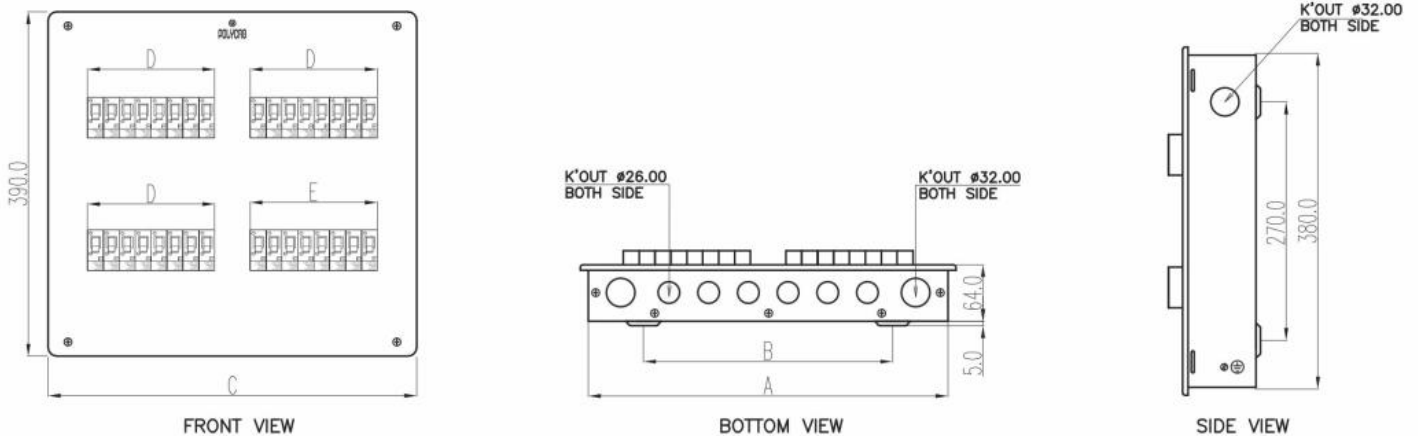
## Range

No. of Ways	I/C + O/G Ways	Item Code
4	4 + 12	GPDTN10031
4	8 + 12	GPDTN10032
6	8 + 18	GPDTN10033
8	8 + 24	GPDTN10034
12	8 + 36	GPDTN10030

## Features

- Conforms to IS 13032, IS 8623, IEC / BSEN 61439 - 3
- IP 30 protection
- 8 Pole Incomer provision
- Single Door DB
- 2 nos. Neutral Link & 2 nos. Earth Link for ease of wiring
- Suitable for Flush & Surface mounting
- Detachable Gland Plates at Top & Bottom side
- Knock-outs available on all four side walls of Base box for Conduit.

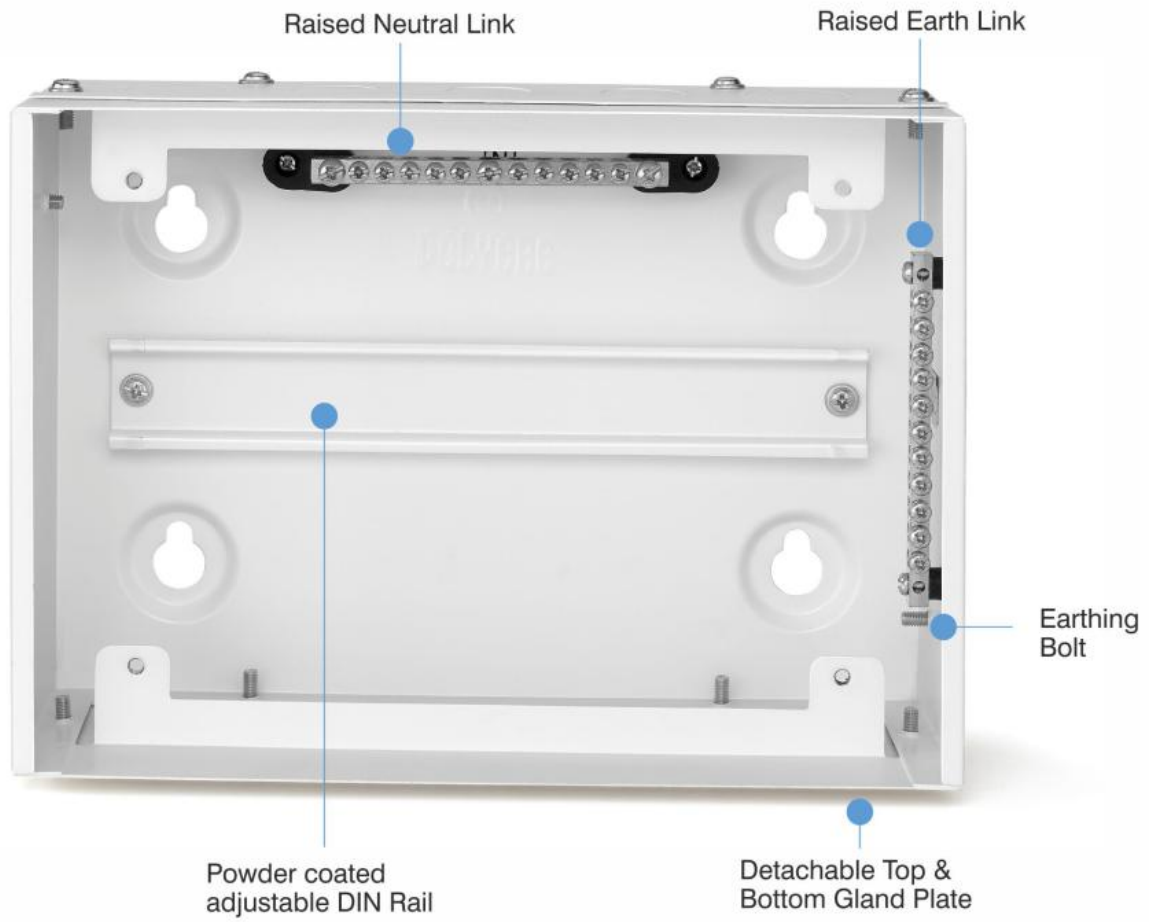
## GA Drawing



## Dimensions (mm)

WAY	A	B	C	D	E
04	263	188	273	72	72
04	335	260	345	72	144
06	371	296	381	108	144
08	407	332	417	144	144
12	551	476	561	216	144

## SPN Distribution Board - Double Door



## Isometric View



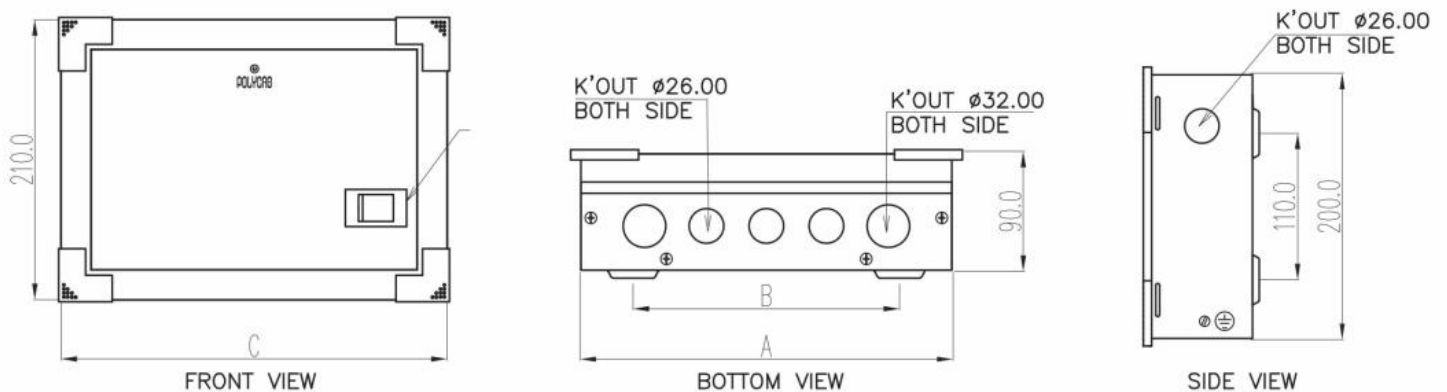
## Range

No. of Ways	No. of MCB(1 Pole)	Item Code
4W	I/C + O/G : 4	GPDSN20016
6W	I/C + O/G : 6	GPDSN20012
8W	I/C + O/G : 8	GPDSN20017
12W	I/C + O/G : 12	GPDSN20018
16W	I/C + O/G : 16	GPDSN20019

## Features

- Conforms to IS 13032, IS 8623, IEC / BSEN 61439 - 3
- IP 42 protection
- Double Door DB
- High quality brass neutral and earth links to prevent temperature rise and promote safe operation.
- Suitable for Flush & Surface mounting
- Detachable Gland Plates at Top & Bottom side
- Knock-outs available on all four side walls of Base box for Conduit.
- Suitable for DP incoming and SP Outgoing

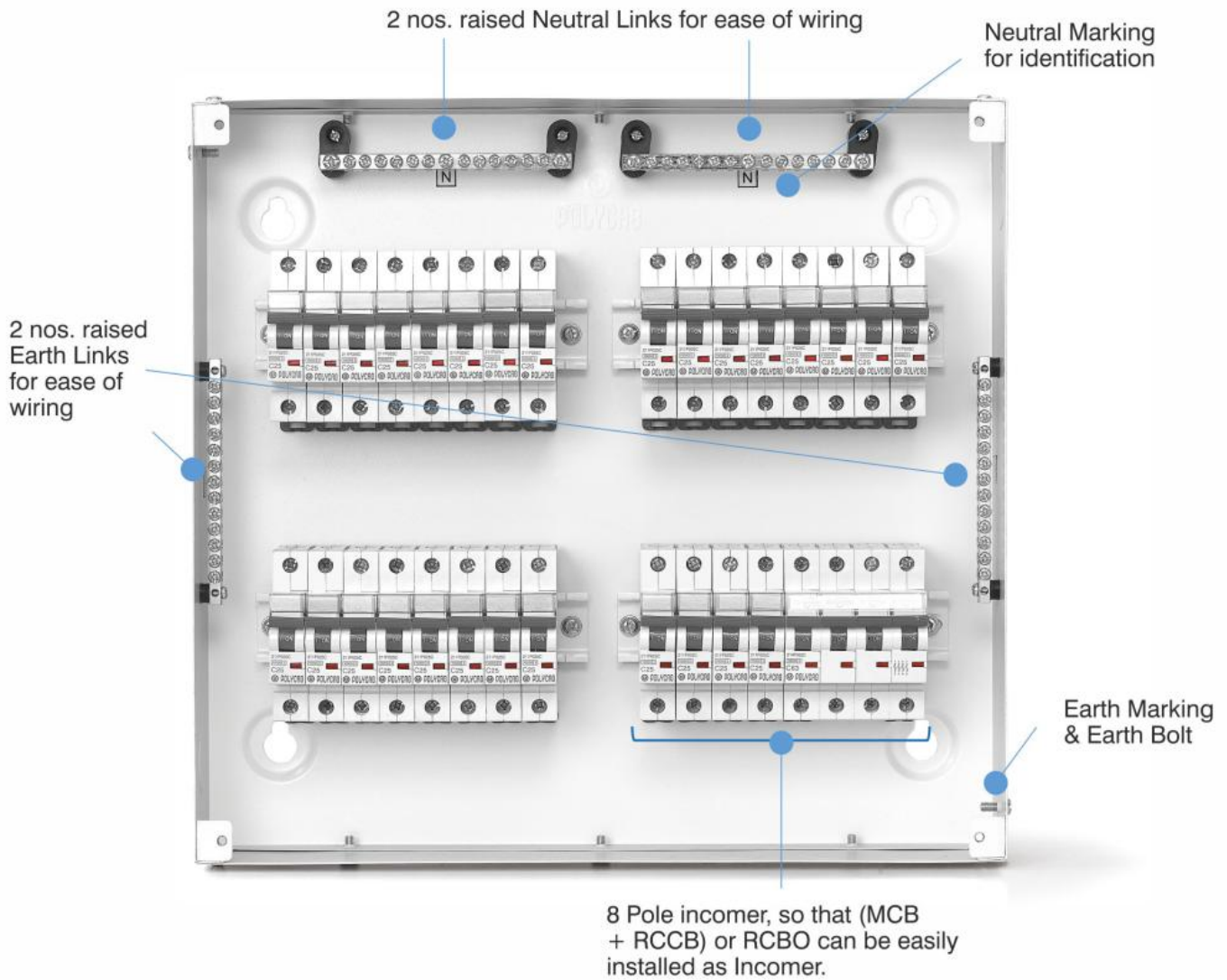
## GA Drawing



## Dimensions (mm)

WAY	A	B	C	D
04	136	62	146	72
06	172	92	182	108
08	208	128	218	144
10	244	164	254	180
12	280	200	290	216
16	352	272	362	288

## TPN Distribution Board - Double Door



## Isometric View



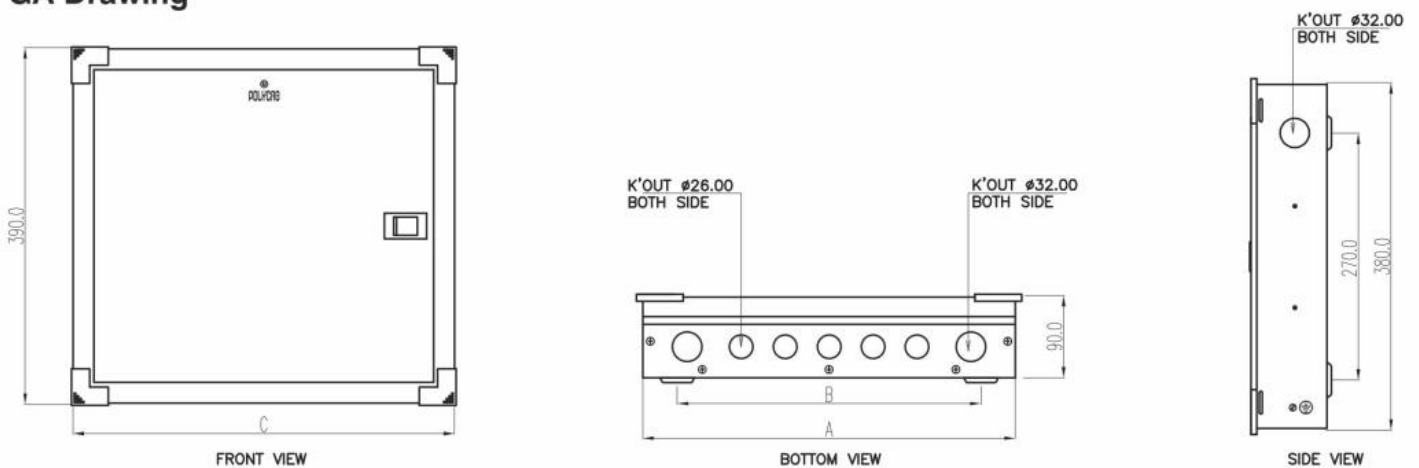
## Range

No. of Ways	I/C + O/G Ways	Item Code
4	4 + 12	GPDTN20064
4	8 + 12	GPDTN20065
6	8 + 18	GPDTN20066
8	8 + 24	GPDTN20067
12	8 + 36	GPDTN20068

## Features

- Conforms to IS 13032, IS 8623, IEC / BSEN 61439 - 3
- IP 42 Protection
- 8 Pole Incomer provision
- Double Door DB
- 2 nos. Neutral Link & 2 nos. Earth Link for ease of wiring
- Suitable for Flush & Surface mounting
- Detachable Gland Plates at Top & Bottom side
- Knock-outs available on all four side walls of Base box for Conduit.

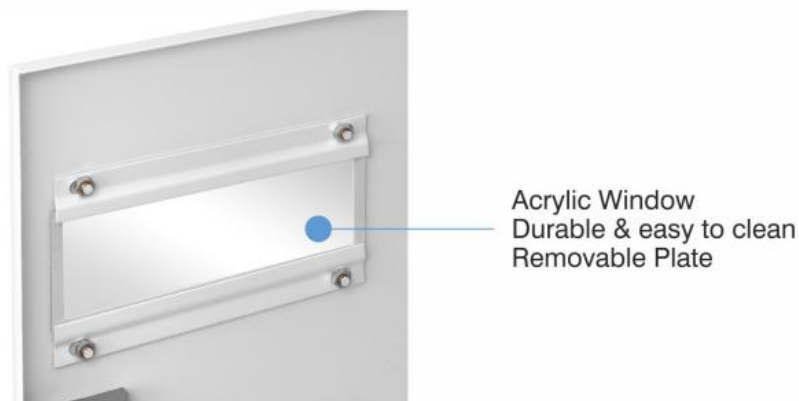
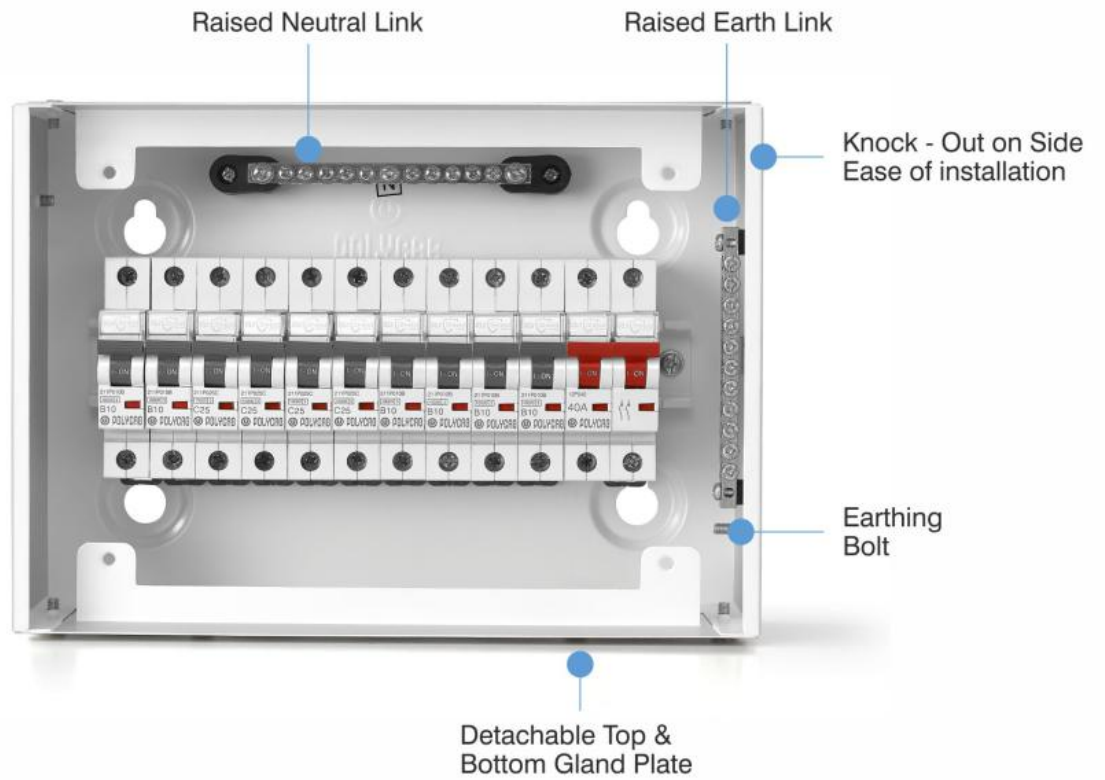
## GA Drawing



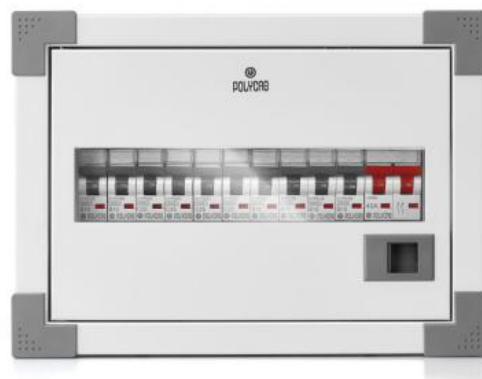
## Dimensions (mm)

WAY	A	B	C	D	E
04	263	188	273	72	72
04	335	260	345	72	144
06	371	296	381	108	144
08	407	332	417	144	144
12	551	476	561	216	144

## SPN Acrylic Double Door DB



### Isometric View





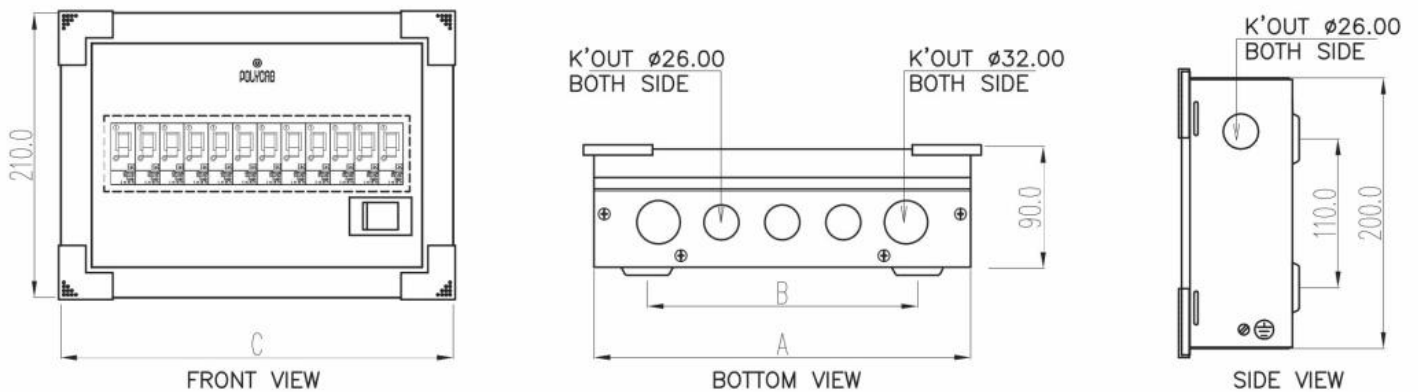
## Range

No. of Ways	No. of MCB(1 Pole)	Item Code
4W	I/C + O/G : 4	GPDSN30006
6W	I/C + O/G : 6	GPDSN30007
8W	I/C + O/G : 8	GPDSN30008
12W	I/C + O/G : 12	GPDSN30009
16W	I/C + O/G : 16	GPDSN30010

## Features

- Conforms to IS 13032, IS 8623, IEC / BSEN 61439 - 3
- IP 42 protection
- Double Door with Acrylic window
- High quality brass neutral and earth links to prevent temperature rise and promote safe operation.
- Suitable for Flush & Surface mounting
- Detachable Gland Plates at Top & Bottom side
- Knock-outs available on all four side walls of Base box for Conduit.
- Suitable for DP incoming and SP Outgoing

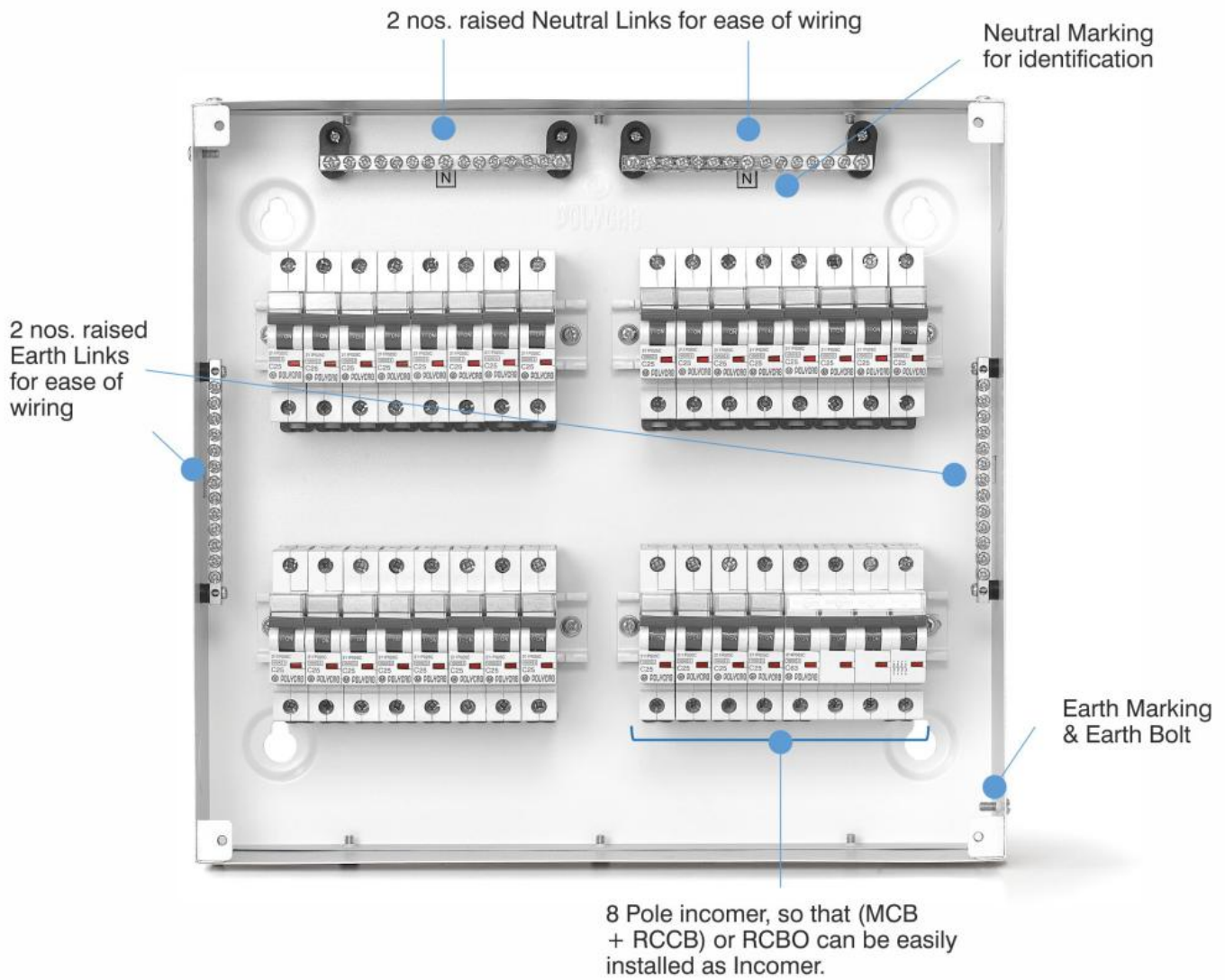
## GA Drawing



## Dimensions (mm)

WAY	A	B	C	D
04	136	62	146	72
06	172	92	182	108
08	208	128	218	144
12	280	200	290	216
16	352	272	362	288

## TPN Acrylic Double Door DB



## Isometric View



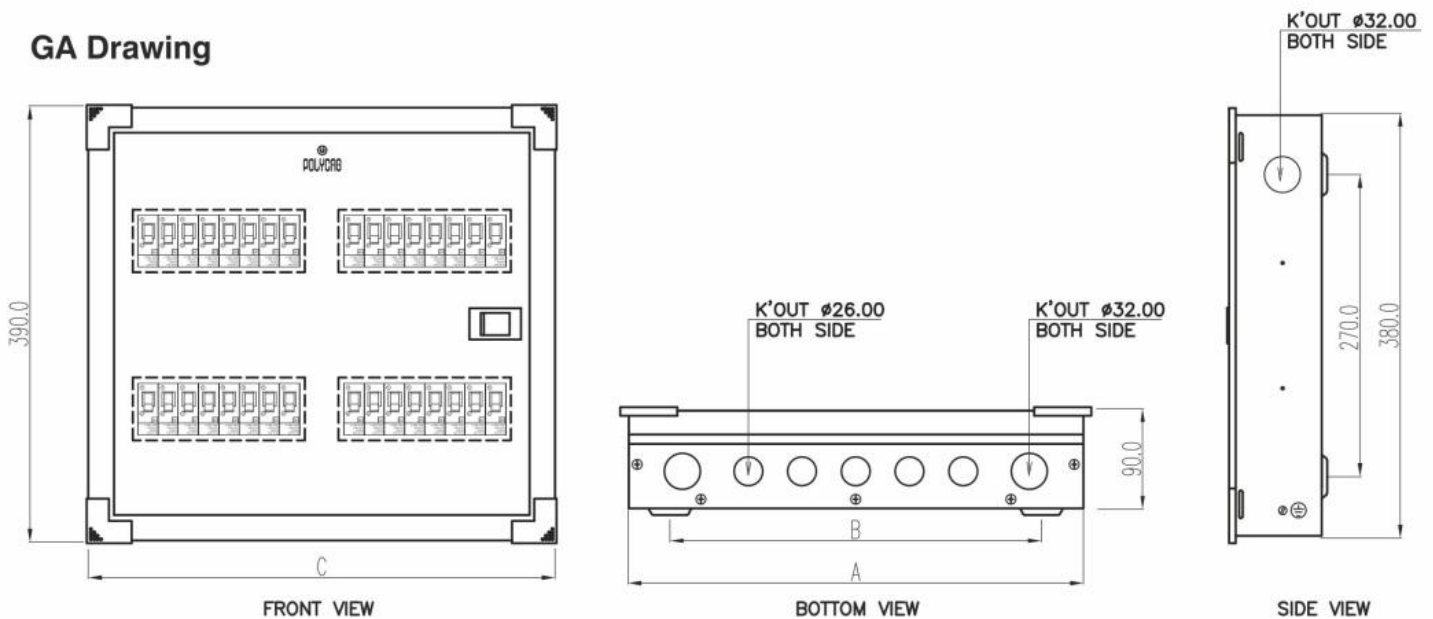
## Range

No. of Ways	I/C + O/G Ways	Item Code
4	4 + 12	GPDTN30006
4	8 + 12	GPDTN30007
6	8 + 18	GPDTN30008
8	8 + 24	GPDTN30009
12	8 + 36	GPDTN30010

## Features

- Conforms to IS 13032, IS 8623, IEC / BSEN 61439 - 3
- IP 42 Protection
- 8 Pole Incomer provision
- Double Door with Acrylic window
- 2 nos. Neutral Link & 2 nos. Earth Link for ease of wiring
- Suitable for Flush & Surface mounting
- Detachable Gland Plates at Top & Bottom side
- Knock-outs available on all four side walls of Base box for Conduit.

## GA Drawing



## Dimensions (mm)

WAY	A	B	C	D	E
04	263	188	273	72	72
04	335	260	345	72	144
06	371	296	381	108	144
08	407	332	417	144	144
12	551	476	561	216	144

## TPN Vertical Distribution Board

125A Copper Busbar adjustable pan assembly

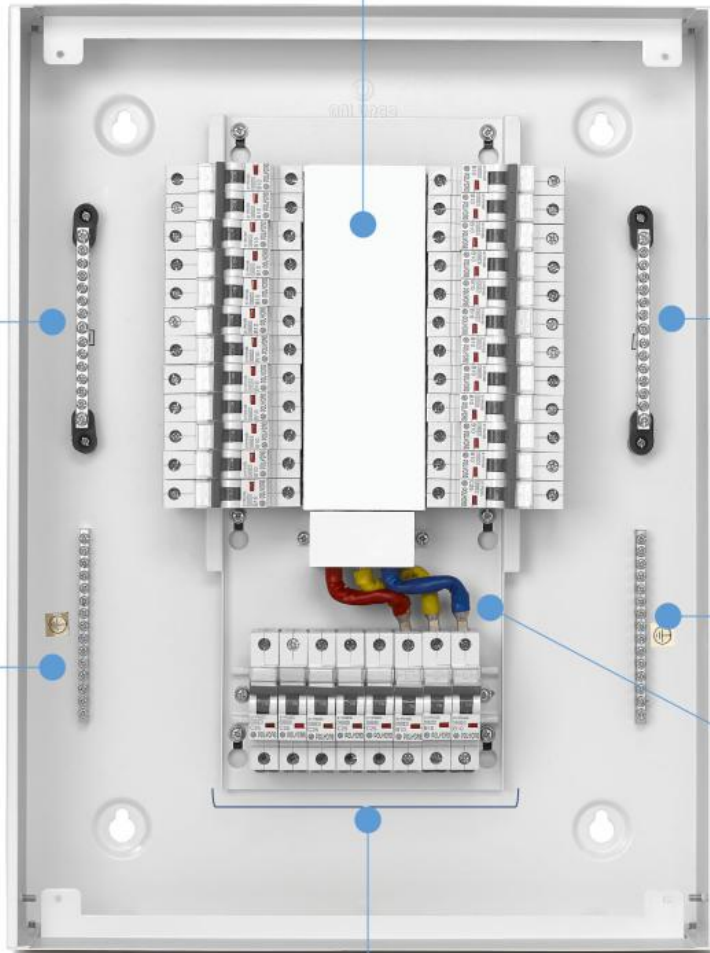
Raised Neutral Links for ease of wiring

Raised Neutral Links for ease of wiring

Earth Link & Earth Marking

Earth Link & Earth Marking

Ease of Wiring



Flexibility of having 4, 4+4 incomer upto 125Amp.

## Isometric View



## Range

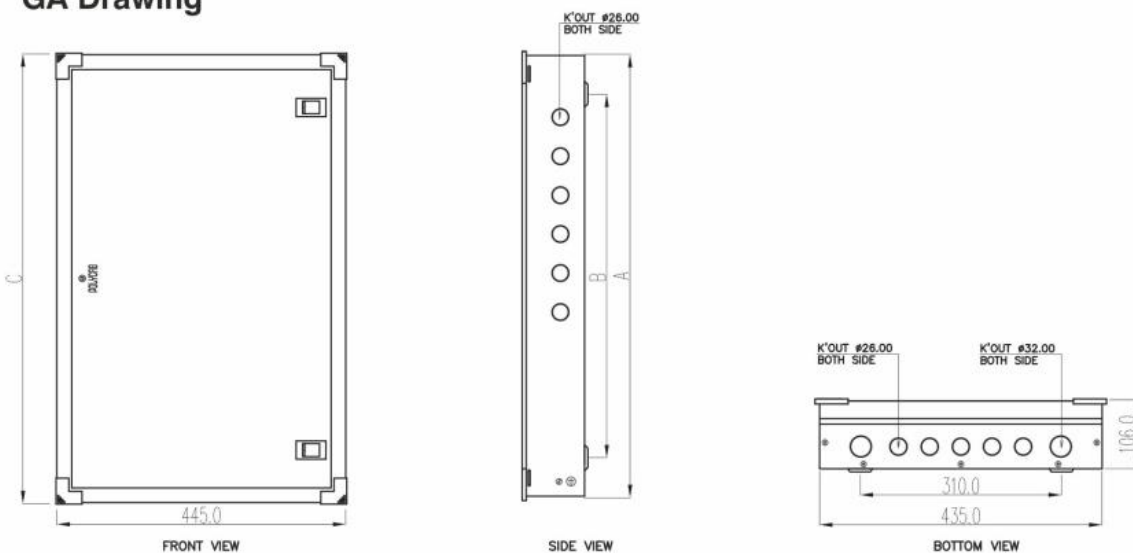
No. of Ways	I/C + O/G Ways	Item Code
4	8 + 12	GPDTN20069
6	8 + 18	GPDTN20070
8	8 + 24	GPDTN20071
12	8 + 36	GPDTN20072

## Features

- Conforms to IEC 61439-3, IS 13032 & IS 8623
- Flexibility of having 4, 4+4 incomer upto 125Amp.
- Provision of SP / TP MCBs as outgoing
- Suitable for Surface / Flush mounting
- Protection degree - Ip42
- 125A Copper Busbar adjustable pan assembly
- 2 nos. Neutral & Earth Bar each
- Detachable Gland Plates at Top & Bottom side
- Knock-outs available on all four side walls of Base box for Conduit.

**Note: Power DB, having MCCB incomer upto 125A also available on request.**

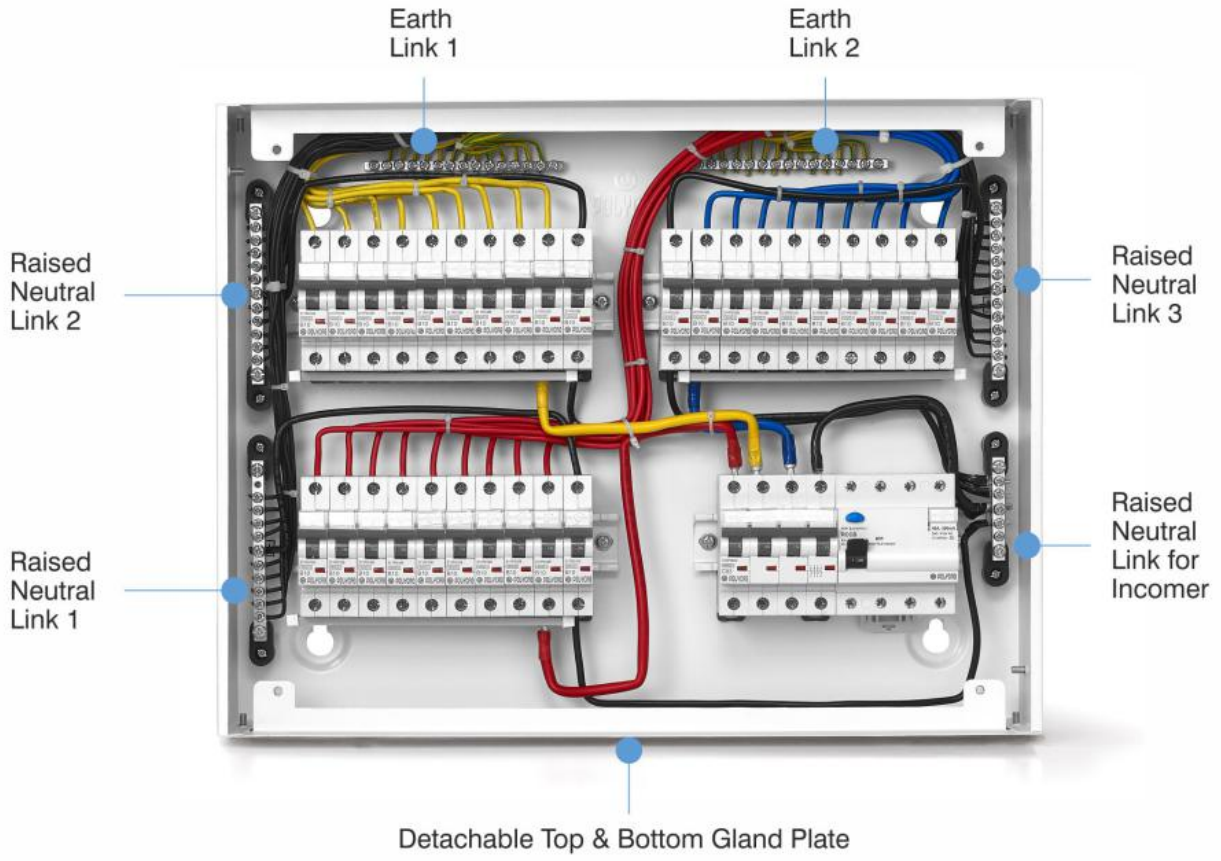
## GA Drawing



## Dimensions (mm)

WAY	A	B	C
4W	467	344	477
6W	521	398	531
8W	575	452	585
12W	683	560	693

## TPN PPI Horizontal Distribution Board



## Isometric View



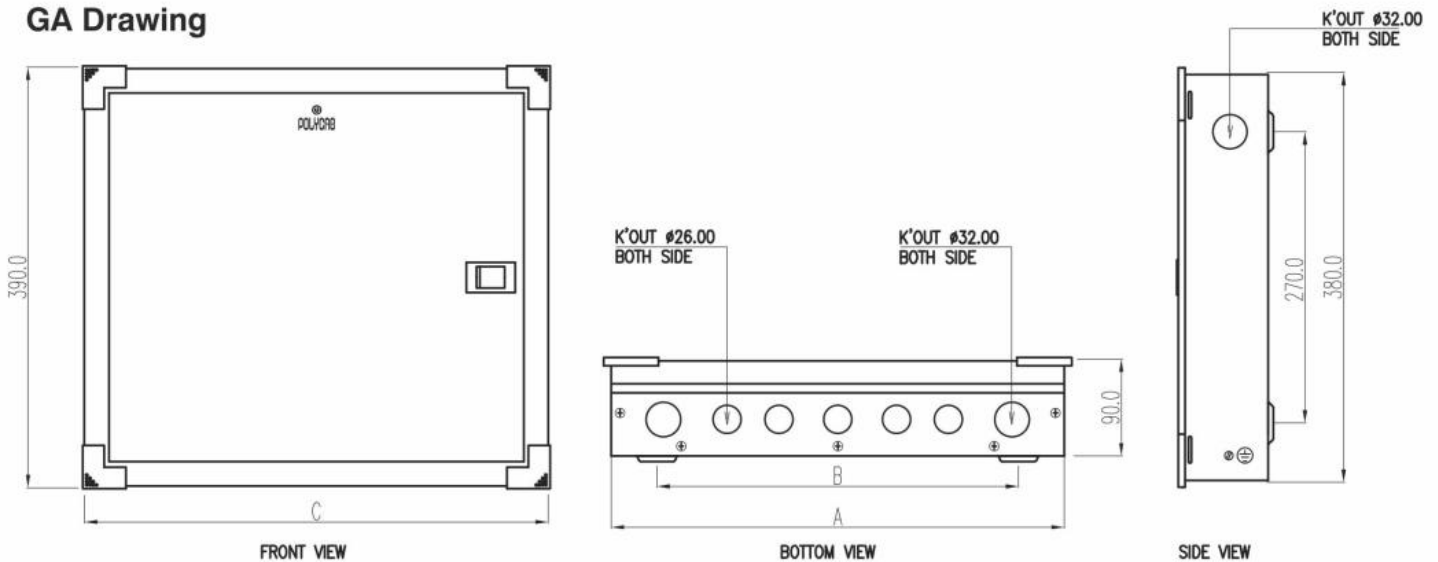
## Range

No. of Ways	I/C + O/G Ways	Item Code
4	8+6+12	GPDTN20077
6	8+6+18	GPDTN20078
8	8+6+24	GPDTN20079
12	8+6+36	GPDTN20080

## Features

- Conforms to IEC 61439-3, IS 13032 & IS 8623
- Slot for 2 module sub incomer DP RCCB in each phase outgoing
- Separate Neutral Link has provided for per phase isolation
- Suitable for Surface / Flush mounting
- Protection degree - Ip42
- Earthing link, 100A tinned electrolytic copper busbar and wire sets for cable management.
- Detachable Gland Plates at Top & Bottom side with Knock outs
- Knock-outs available on all four side walls of Base box for Conduit

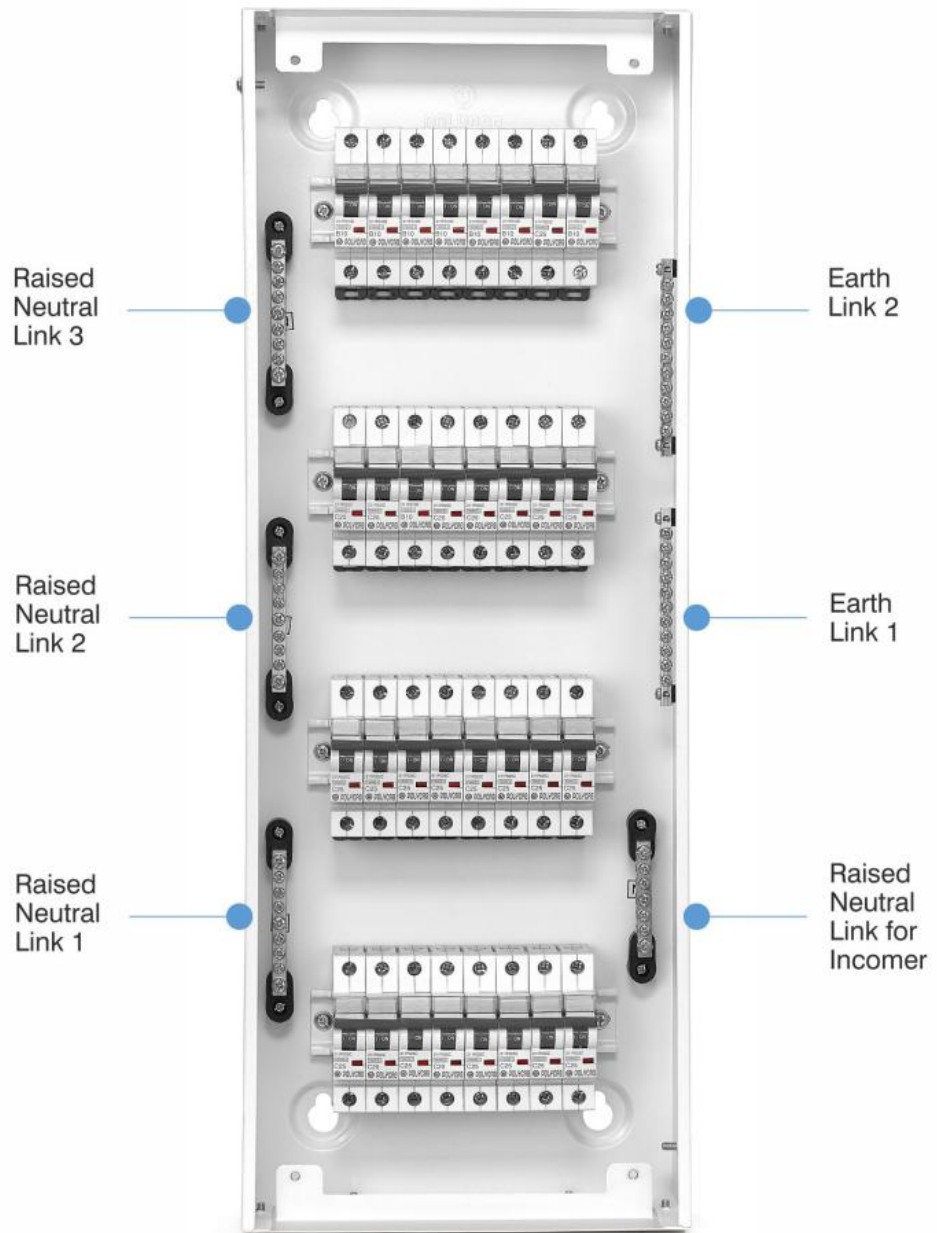
## GA Drawing



## Dimensions (mm)

WAY	A	B	C	D
4	384	299	394	108
6	420	335	430	144
8	492	407	502	180
12	636	535	646	252

## TPN PPI Horizontal Distribution Board



### Isometric View





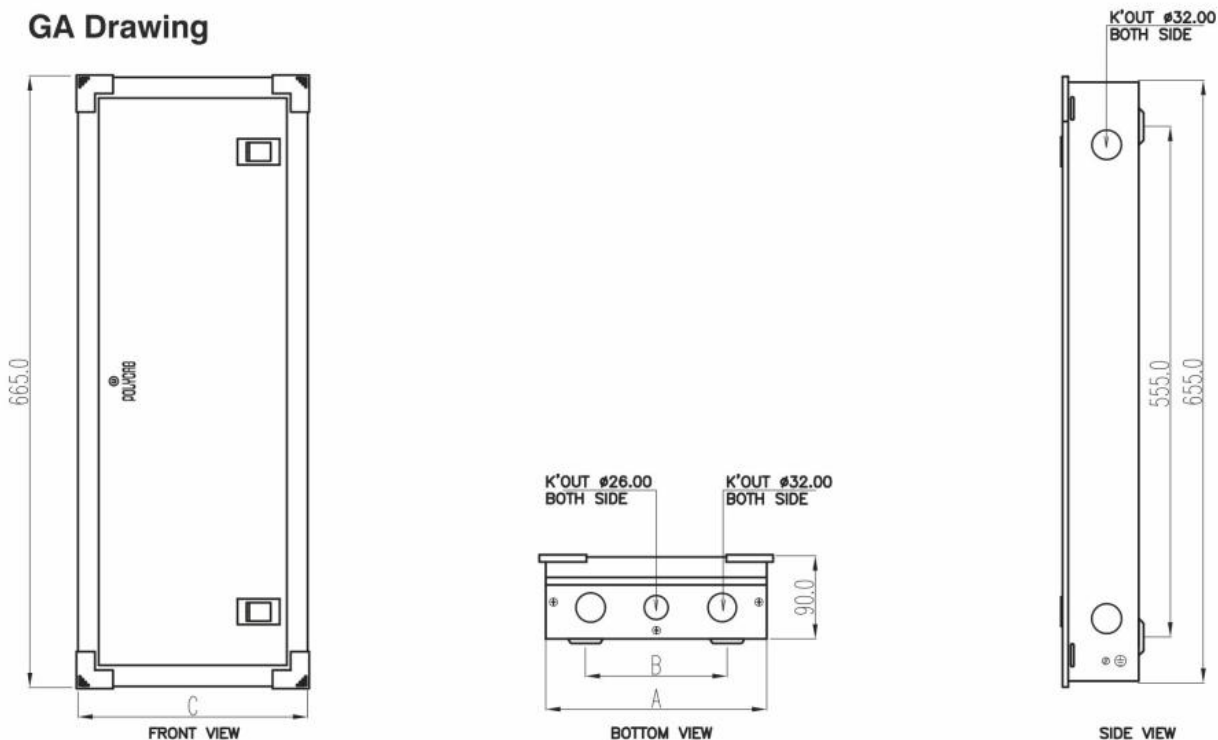
## Range

No. of Ways	I/C + O/G Ways	Item Code
4	8+6+12	GPDTN20046
6	8+6+18	GPDTN20047
8	8+6+24	GPDTN20048
12	8+6+36	GPDTN20049

## Features

- Conforms to IEC 61439-3, IS 13032 & IS 8623
- Slot for 2 module sub incomer DP RCCB in each phase outgoing
- Separate Neutral Link has provided for per phase isolation
- Suitable for Surface / Flush mounting
- Protection degree - Ip42
- Earthing link, 100A tinned electrolytic copper busbar and wire sets for cable management.
- Detachable Gland Plates at Top & Bottom side with Knock outs
- Knock-outs available on all four side walls of Base box for Conduit

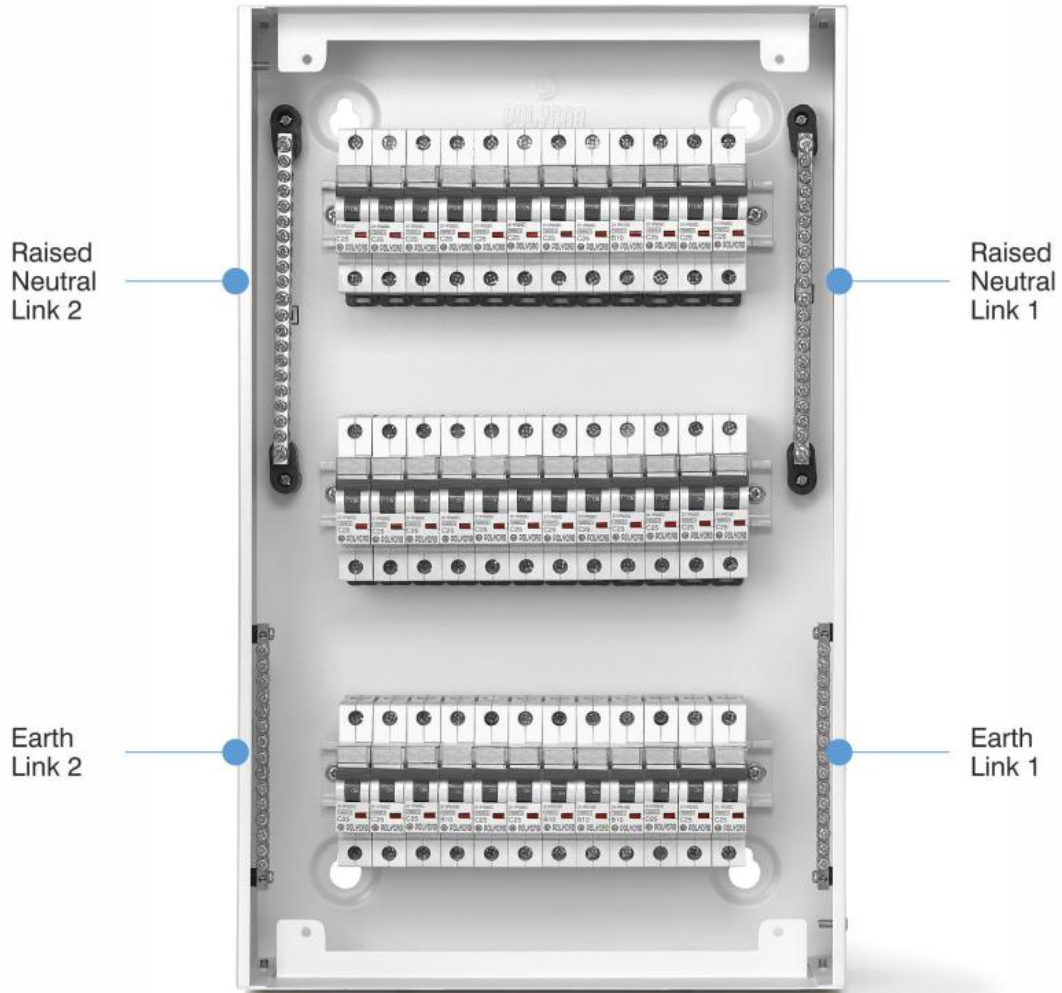
## GA Drawing



## Dimensions (mm)

WAY	A	B	C	D
4	240	154	250	108
6	240	154	250	144
8	276	190	286	180
12	348	262	358	252

## Flexy Tier Distribution Board



## Isometric View



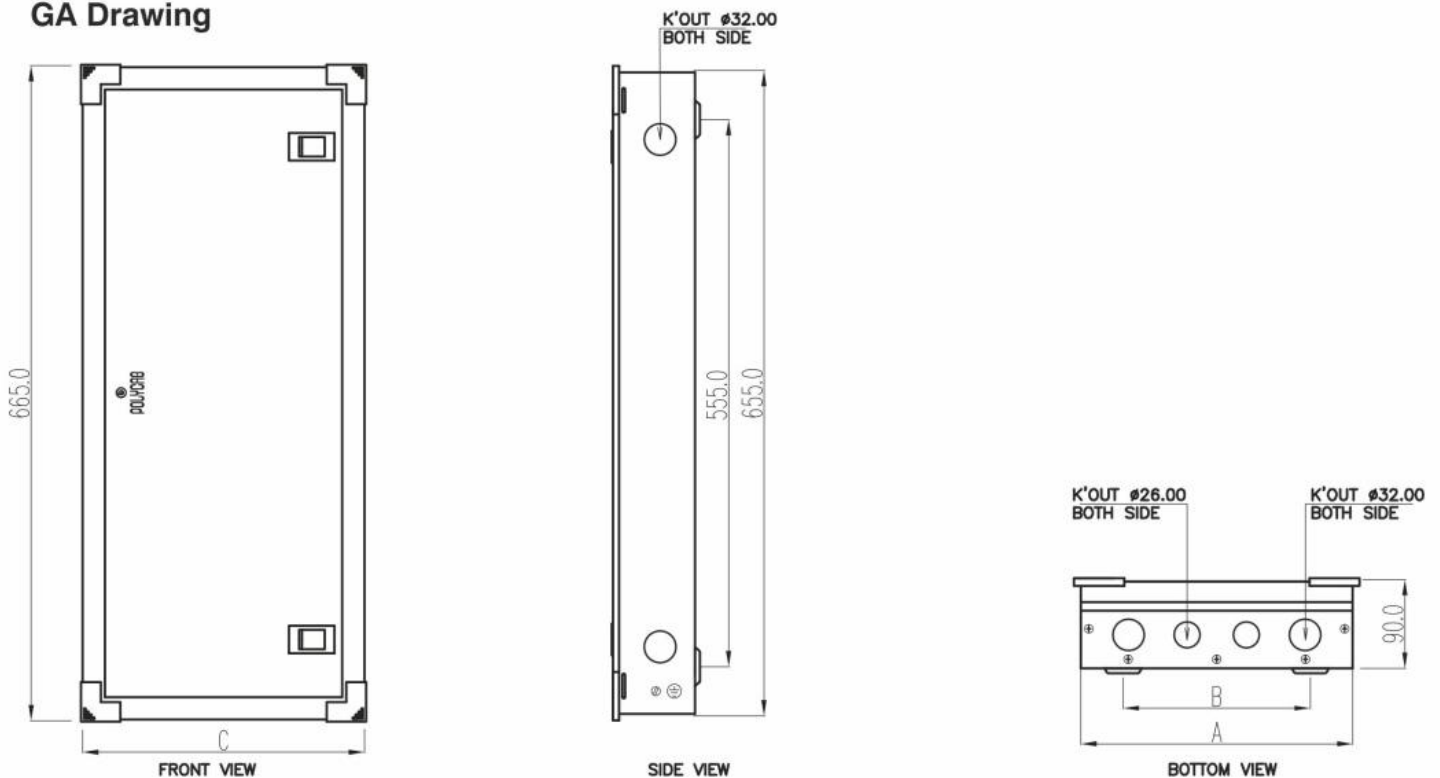
## Range

No. of Ways	No. of Modules	Item Code
2 Row of 12 Module	24	GPDTN20046
3 Row of 12 Module	36	GPDTN20047
4 Row of 10 Module	40	GPDTN20048
4 Row of 14 Module	56	GPDTN20049

## Features

- Conforms to IS 13032, IS 8623, IEC / BSEN 61439 - 3
- Total Flexibility to use it either SPN / TPN DB
- IP 42 Protection
- 2 nos. Neutral Link & 2 nos. Earth Link for installation flexibility
- Suitable for Flush & Surface mounting
- Detachable Gland Plates at Top & Bottom side
- Knock-outs available on all four side walls of Base box for Conduit.

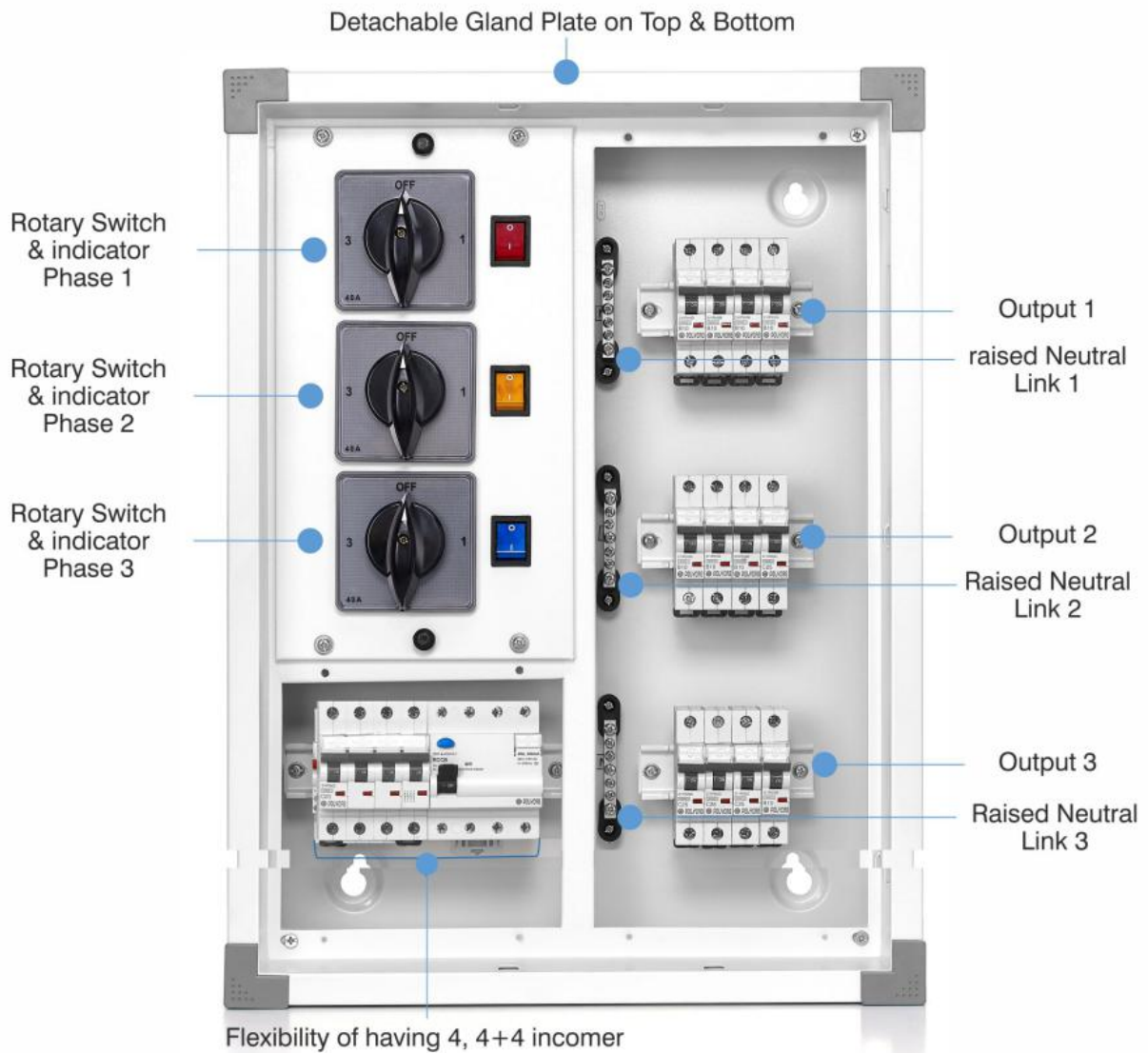
## GA Drawing



## Dimensions (mm)

WAY	A	B	C	D	E
2 Row of 12 Module	312	226	322	216	365
3 Row of 12 Module	312	226	322	216	515
4 Row of 10 Module	276	190	286	180	665
4 Row of 14 Module	348	262	358	252	665

## TPN Phase Selector Distribution Board



## Isometric View



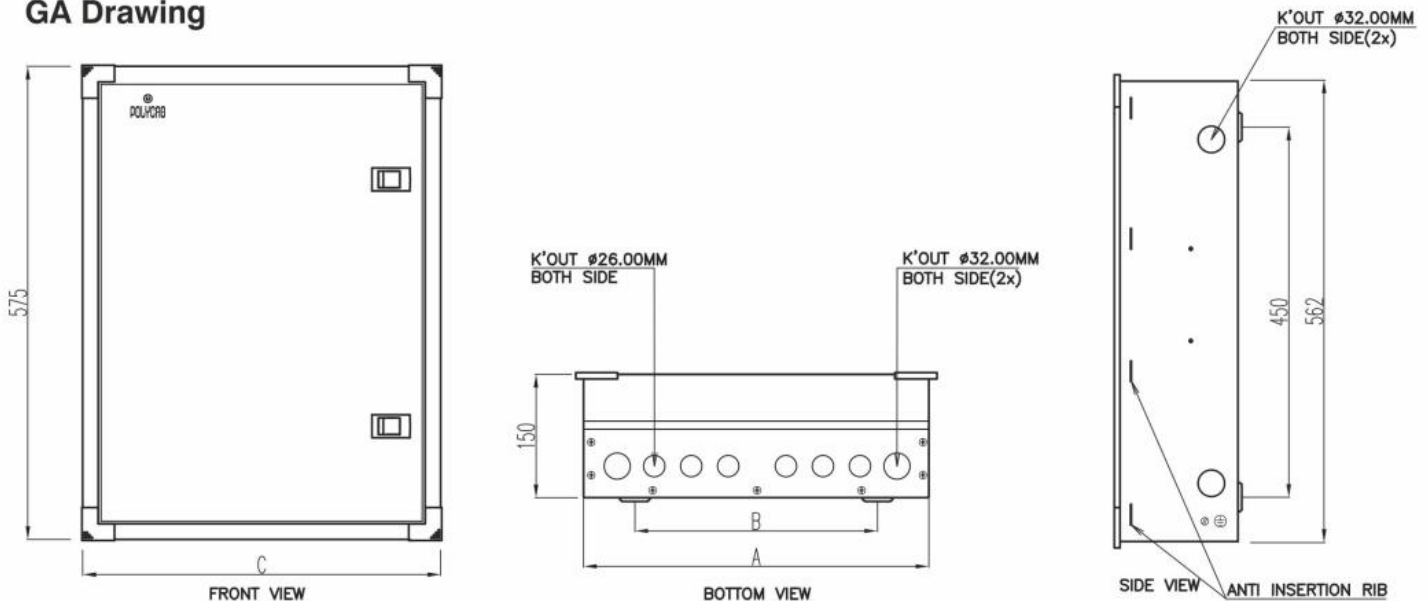
## Range

Selector Rating	No. of Ways	Single Door	Double Door
40A	4W	GPDTN10035	GPDTN30021
40A	6W	GPDTN10037	GPDTN30023
40A	8W	GPDTN10039	GPDTN30025
63A	4W	GPDTN10036	GPDTN30022
63A	6W	GPDTN10038	GPDTN30024
63A	8W	GPDTN10040	GPDTN30026

## Features

- Conforms to IS 13032, IS 8623, IEC / BSEN 61439 - 3
- IP 42 Protection
- 8 way incomer
- Rotary Switch and Indicating light, duly wired
- Separate accessible compartment for Input & Output for ease of maintenance
- Suitable for Flush & Surface mounting
- Detachable Gland Plates at Top & Bottom side
- Knock-outs available on all four side walls of Base box for Conduit.

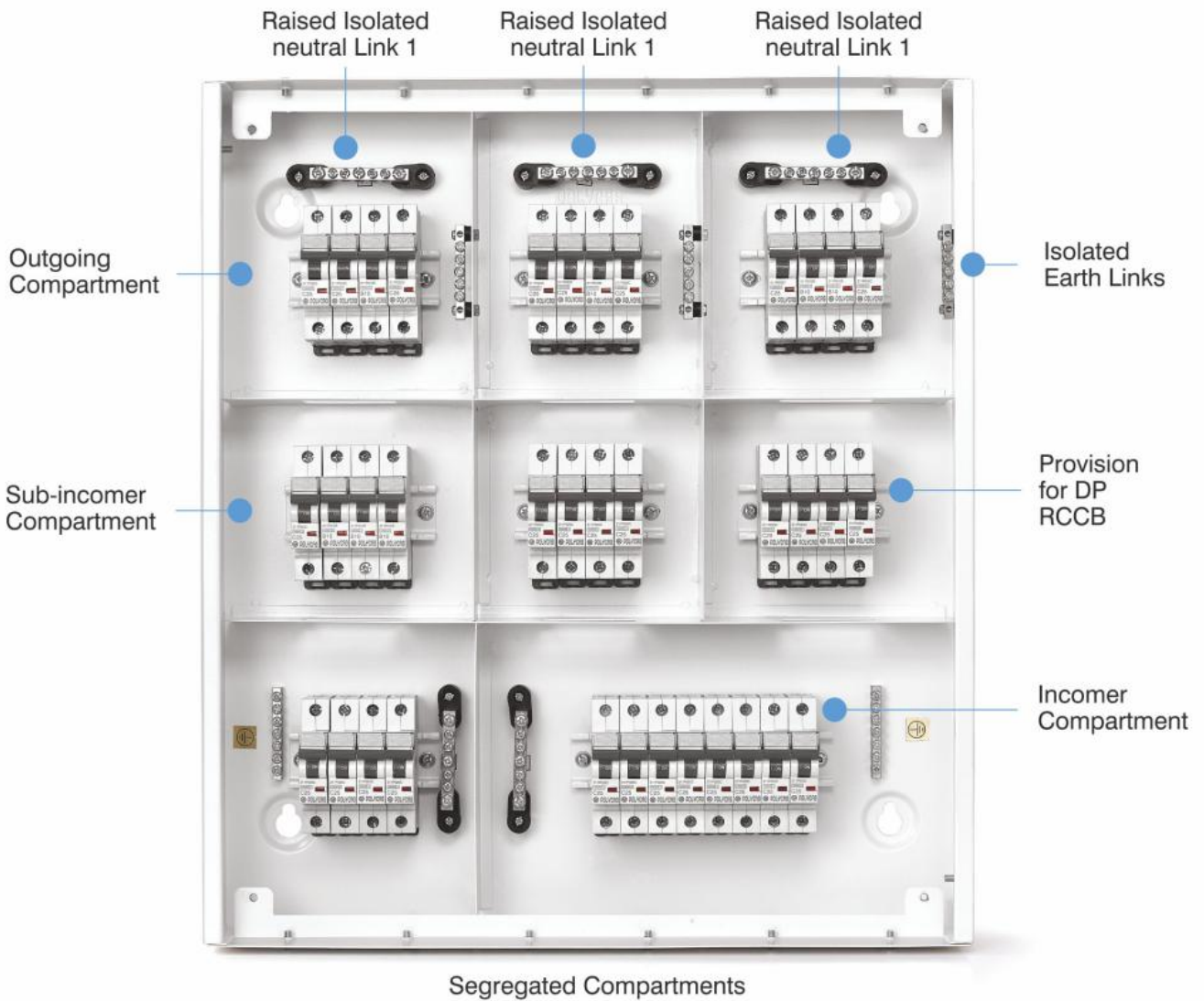
## GA Drawing



## Dimensions (mm)

RATING	WAY	A	B	C	D
40A	4	420	295	435	72
40A	6	456	331	471	108
40A	8	492	367	507	144
63A	4	420	295	435	72
63A	6	456	331	471	108
63A	8	492	367	507	144

## TPN Distribution Board, 7 & 8 Segment



### Isometric View



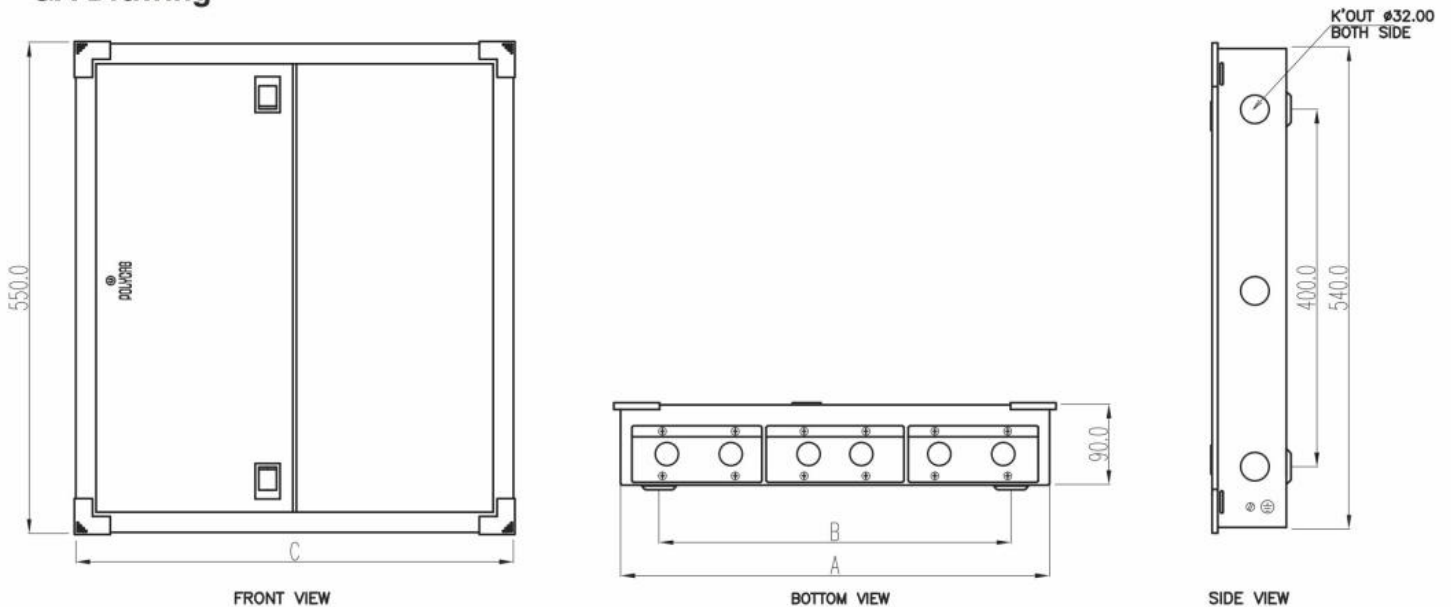
## Range

No. of Ways	7 Segment	8 Segment
4W	GPDTN20073	GPDTN20083
6W	GPDTN20074	GPDTN20084
8W	GPDTN20075	GPDTN20085
12W	GPDTN20076	GPDTN20086

## Features

- Conforms to IS 13032, IS 8623, IEC / BSEN 61439 - 3
- IP 42 Protection
- RAL - 9003 fine white texture finish, Double Door DB
- It is provided with 7/8 compartments to fully segregate & isolate incomer & outgoing devices in each phase.
- Provision for DP RCCB as sub incomer in each phase to provide protection against earth leakage.
- Suitable for Flush & Surface mounting
- Detachable Gland Plates at Top & Bottom side

## GA Drawing



## Dimensions (mm)

WAY	A	B	C	D
4	480	394	490	72
6	588	502	598	108
8	696	610	706	144
12	912	826	922	216

## MCB Enclosure

### Double Pole & Four Pole Cut-Out

As per IS 13032, IS 8623,  
IEC / BSEN 61439 - 3  
IP 30 Protection  
RAL - 9003, fine white texture



### Dimensions (mm)

Description	A	B	C	D
Metal Enclosure 2 Pole	70	35	80	36
Metal Enclosure 4 Pole	116	71	126	72

### Isometric View





## Metal Plug & Socket DB

### Range

Rating	No. of Poles	Item Code
20A	SP	GPDPS10006
20A	DP	GPDPS10004
20A	TP	GPDPS10005
30A	TP	GPDPS20003

### Features

- Suitable for protection of Commercial & Domestic equipment / appliances like Air-Conditioner, Chilling cabinets, Motors, Office Machine, Power tools etc.
- As per IS 13032, IS 8623, IEC / BSEN 61439 - 3
- IP 30 Protection
- RAL - 9003, fine white texture



## WARRANTY POLICY

MCB's	36 Months
RCCB's & RCBO's	36 Months
DB's	12 Months

Polycab's Products carry a warranty against manufacturing defects, subject to use of the Product for the right application with correct wiring/connection and normal operating conditions.



**POLY**CAB  
**CARE**

Your Happiness, Our Passion.

CABLES | WIRES | FANS | APPLIANCES | SWITCHES & SWITCHGEAR | LIGHTING & LUMINAIRES  
uPVC CONDUITS & FITTINGS | PUMPS | SOLAR

**Email: [customercare@polycab.com](mailto:customercare@polycab.com)**

**Toll Free No.: 1800 267 0008**

• Working Days: Monday to Saturday • Timings: 9:00 AM to 6:00 PM



Connection Zindagi Ka

Corporate Office:

**POLYCAB INDIA LTD.**

Polycab House, 771, Mogul Lane, Mahim (W), Mumbai - 400 016, Maharashtra (India) Ph.: +91-22-2432 7070/4, 6735 1400,  
Fax: +91-22-24327075, Email: enquiry@polycab.com • www.polycab.com

**Regional & Branch Offices:**

**NORTH REGIONAL OFFICE :**

CHANDIGARH : SCO-10-11-12, SEC 17 B, Chandigarh - 160017. • LUCKNOW : Shalimar Square, Office No - 09, 126/31, B. N. Road, Lalbagh, Hazratganj, Lucknow - 226001. • NOIDA : B9, 1<sup>st</sup> Floor Sector - 3, Near Bajaj Bhawan, Noida - 201301. • DEHRADUN : 109, Tagore Villa, Near P. N. B., Dehradun - 248001.  
• JAIPUR : B-44 & B-45, Industrial Area, Sudarshanpura Extn., Bais Godam, Jaipur - 302019.

**EAST REGIONAL OFFICE :**

GUWAHATI : 3<sup>rd</sup> Floor, Purbi Complex, Near Panbazar Flyover, A. T. Road, Guwahati - 781001. • KOLKATA : 18, Rabindra Sarani, Poddar Court, Gate No. 3, 5<sup>th</sup> Floor, Kolkata - 700001. • ORISSA : A/2, RCC Building, Ground Floor, Saheed Nagar, Bhubaneswar, Orissa - 751007. • PATNA : D-302, Dumraon Palace, 3<sup>rd</sup> Floor, Fraser Road, Near Dakbangla Crossing, Patna - 800001. • RANCHI : Polycab Wires Pvt Ltd Gr. Floor, Panchwati Tower, Harmu Bypass, Near Ratu Road Chowk Behind Vishal Management Ranchi: 834002 (Jharkhand)

**WEST REGIONAL OFFICE :**

AHMEDABAD : 102-1<sup>st</sup> Floor, Hrishikesh, Opp. Gulbai Tekra Water Tank, Nr. IDBI Bank Cross Road, Ahmedabad - 380006. • INDORE : B-12, New Siyaganj, Patthar Godam Road, Indore - 452003. • PUNE : Off No. 36, Sangam Project Phase 2, Near RTO Pune, Near Sangam Bridge, Pune - 411001. • RAIPUR : 506, 5<sup>th</sup> Floor, Wallfort Ozone, Near Fafadih Chowk, Raipur (C.G.) 492001.

**SOUTH REGIONAL OFFICE :**

BENGALURU : B-78, No.18, 4<sup>th</sup> Main Road, KSSIDC Industrial Estate, 6<sup>th</sup> Block, Rajajinagar, Bangalore - 560010. • CHENNAI : Polycab wires pvt.ltd Rain Tree Place New.no.7 , Old No.9 2b,second Floor Mc Nichols Road,chetpet Chennai - 600031 • KOCHI : 34/138 C, NH By-Pass Road, Edappally, Kochi - 682024.  
• SECUNDERABAD : 208-209, 2<sup>nd</sup> Floor Bhuvana Towers S. D. Road, Secunderabad - 500 003. • VIJAYAWADA : Ground Floor, House No. 40-5/7-6, Municipal Employees Colony, Vijayawada - 520010 (AP). • COIMBATORE : No: 45, K. K. Lane, No. 3, Near Avinashi Road Flyover, Coimbatore - 641 018.



**Terms and Conditions:**

The prices are inclusive of all Government levies. • Goods are despatched by us on purchaser's risk. • All claims for loss, damage or shortage will be filed by the purchaser directly with carriers. • Disputes, if any are subject to Mumbai jurisdiction only. • Price are subject to change without notice. • MRP mentioned is for per unit & in Indian Rupees • Due to continuous technology upgrades the design & specifications may vary without notice.

Follow us on:



[www.facebook.com/PolycabInd](http://www.facebook.com/PolycabInd)



[www.twitter.com/PolycabIndia](http://www.twitter.com/PolycabIndia)



[www.linkedin.com/company/PolycabIndia](http://www.linkedin.com/company/PolycabIndia)



CONTACT (Toll Free No.) 1800 267 0008